

1Pt100 KN2510, 按照IEC 60751标准的陶瓷绕线Pt RTD

Temperature range -196 °C to +660 °C

- 出色的稳定性
- 适用于宽工作温度范围的标准公差等级
- Pt100 为标准阻值, 其他标称阻值可依客户需求提供
- 宽工作温度范围: -196 至 +660 °C

KN系列陶瓷绕线铂金温度传感器元件适用于温度稳定性要求较高, 及在宽温度范围内具备高精度性能领域. 典型的应用包括能源和发电, 石油和天然气, 石油化学和特殊工业应用.

标称阻值 R_0 [Ω]	公差等级	产品料号	包装方式
Pt100	W0.03 (1/10 B) W0.1 (1/3 B) W0.15 (A) W0.3 (B)	32206044 / 32206434 32206368 32206365 32206362	吸塑包装 吸塑包装 吸塑包装

标称电阻测量点距离传感器本体末端 8 mm

公差等级及温度范围

公差等级 W0.03 (1/10 B)	-50 °C 至 +300 °C
公差等级 W0.1 (1/3 B)	-100 °C 至 +350 °C
公差等级 W0.15 (A)	-100 °C 至 +450 °C
公差等级 W0.3 (B)	-196 °C 至 +660 °C

32206434:
Tolerance Class W0.03L / 1/10 B -50 °C to +150 °C

32206044:
LL: 8.5 ±0.5 mm

电阻温度系数

TCR = 3850 ppm/K

工作电流

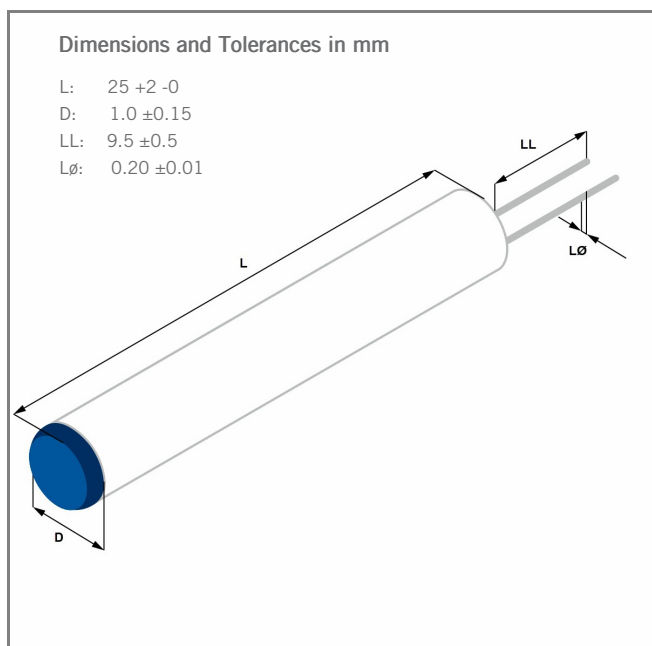
1 mA

长期稳定性

出色的长期稳定性

自热系数

零下0.07 K/mW



图片仅供参考
固定滴的颜色, 形状与外观可能有所不同

1Pt100 KN2510, 按照IEC 60751标准的陶瓷绕线Pt RTD

Temperature range -196 °C to +660 °C

装配后的绝缘电阻

封装传感器实现常规值>3 GΩ (室温)

引脚材质

钯金合金

备注

可应要求提供:

- 其他标准和更窄的公差
- 铂金合金
- 不同的温度系数 (3916 ppm/K - 旧 JIS)
- 延长线
- 两个分离的线圈可以嵌入一个陶瓷体里

这些陶瓷绕线产品由 Sensor Technology Ltda 为 Heraeus Nexensos 制造.



The information provided in this data sheet describes certain technical characteristics of the product, but shall not be qualified or construed as quality guarantees whatsoever. Furthermore, the information provided in this data sheet does not constitute a warranty, implied or express, whatsoever, including but not limited to warranties of merchantability, fitness for a particular purpose, or use.

The information provided in this data sheet regarding measurement values (including, but not limited to, response time, long-term stability, vibration and shock resistance, insulation resistance and self-heating) are average values that have been obtained under laboratory conditions in tests of large numbers of the product. Product results or measurements achieved by customer or any other person in any production, test, or other environment may vary depending on the specific conditions of use. The customer is solely responsible to determine whether the product is suited for customer's intended use; in this respect Heraeus cannot assume any liability. The sale of any products of Heraeus is exclusively subject to the Terms and Conditions of Sale of Heraeus in their current version at the time of purchase, which is available under www.heraeus.com/gtc or may be furnished upon request. This data sheet is subject to changes without prior notice.

Heraeus Nexensos USA, a division of Heraeus Epurio LLC, 770 Township Line Road, Suite 300, Yardley, Pennsylvania, USA 19067