

## 2Pt100 K2517, Ceramic Wire Wound Pt RTD according to IEC 60751

Temperature range -196 °C to +850 °C

- High stability
- Standard tolerance classes available over wide operating temperature ranges
- Pt100 standard resistance; other values available
- High maximum operating temperature: +850 °C

The K Series Ceramic Wire Wound Pt RTDs are suitable for general applications requiring temperature stability, and high accuracy over very wide operating temperature ranges, with operating capability up to +850 °C. Typical application areas are, Energy & Power generation, Oil & Gas and PetroChemistry and special industrial applications.

Nominal Resistance R <sub>0</sub> [Ω]	Tolerance Class	Order Number	Packaging
2Pt100	W0.1 (Class 1/3 B)	32206162	Slide Blister
	W0.15 (Class A)	32206150	Slide Blister
	W0.3 (Class B)	32206205	Slide Blister

The measuring point for the nominal resistance is 8 mm from the end of the sensor body.

### Temperature Range of Tolerance Class

Tolerance Class W0.1 (1/3 B)	-100 °C to +350 °C
Tolerance Class W0.15 (A)	-100 °C to +450 °C
Tolerance Class W0.3 (B)	-196 °C to +850 °C

### Temperature Coefficient

TCR = 3850 ppm/K

### Response Time

Water (v = 0.4 m/s):	t <sub>0.5</sub> = 0.2 s
	t <sub>0.9</sub> = 0.4 s
Air (v = 0.3 m/s):	t <sub>0.5</sub> = 6.1 s
	t <sub>0.9</sub> = 19 s

### Measuring Current

1 mA

### Long-Term Stability

Excellent long term stability

### Self-Heating

0.06 K/mW at 0 °C

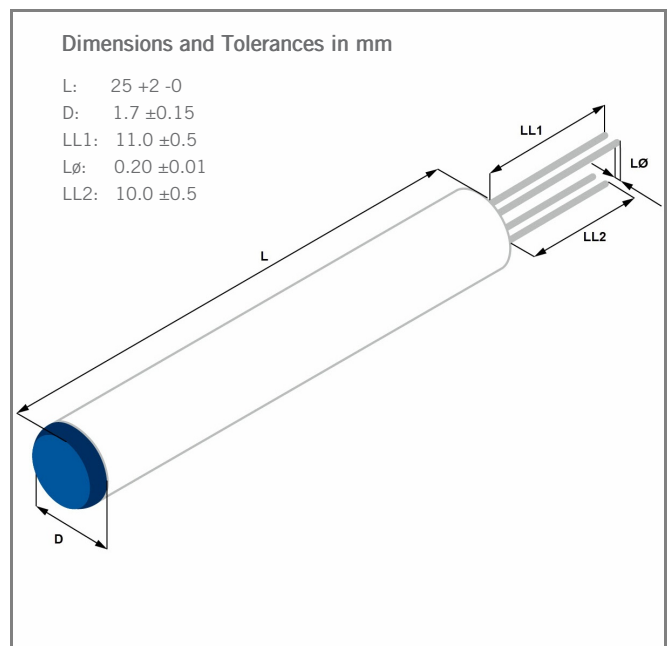


Image for illustration purposes only  
Color, shape and forming of fixation drop may vary

## 2Pt100 K2517, Ceramic Wire Wound Pt RTD according to IEC 60751

Temperature range -196 °C to +850 °C

---

### Insulation Resistance After Assembly

Housed sensors achieve typically values >3 GΩ (at room temperature)

### Lead Type

Platinum -gold alloy

### Note

Available on request:

- Other standards and narrower tolerances
- Different temperature coefficients (3916 ppm/K - old JIS)
- Extension leads

These ceramic wire wound products are manufactured for Heraeus Nexensos by Sensor Technology Ltda.

### California Proposition 65



## WARNING

WARNING: This product can expose you to chemicals including lead oxide, which is known to the State of California to cause cancer and birth defects or other reproductive harm, and including cobalt oxide and cadmium and/or cadmium compounds, which is known to the State of California to cause cancer.

For more information go to [www.p65warnings.ca.gov](http://www.p65warnings.ca.gov)



The information provided in this data sheet describes certain technical characteristics of the product, but shall not be qualified or construed as quality guarantees whatsoever. Furthermore, the information provided in this data sheet does not constitute a warranty, implied or express, whatsoever, including but not limited to warranties of merchantability, fitness for a particular purpose, or use.

The information provided in this data sheet regarding measurement values (including, but not limited to, response time, long-term stability, vibration and shock resistance, insulation resistance and self-heating) are average values that have been obtained under laboratory conditions in tests of large numbers of the product. Product results or measurements achieved by customer or any other person in any production, test, or other environment may vary depending on the specific conditions of use. The customer is solely responsible to determine whether the product is suited for customer's intended use; in this respect Heraeus cannot assume any liability. The sale of any products of Heraeus is exclusively subject to the Terms and Conditions of Sale of Heraeus in their current version at the time of purchase, which is available under [www.heraeus.com/gtc](http://www.heraeus.com/gtc) or may be furnished upon request. This data sheet is subject to changes without prior notice.

Heraeus Nexensos USA, a division of Heraeus Epurio LLC, 770 Township Line Road, Suite 300, Yardley, Pennsylvania, USA 19067