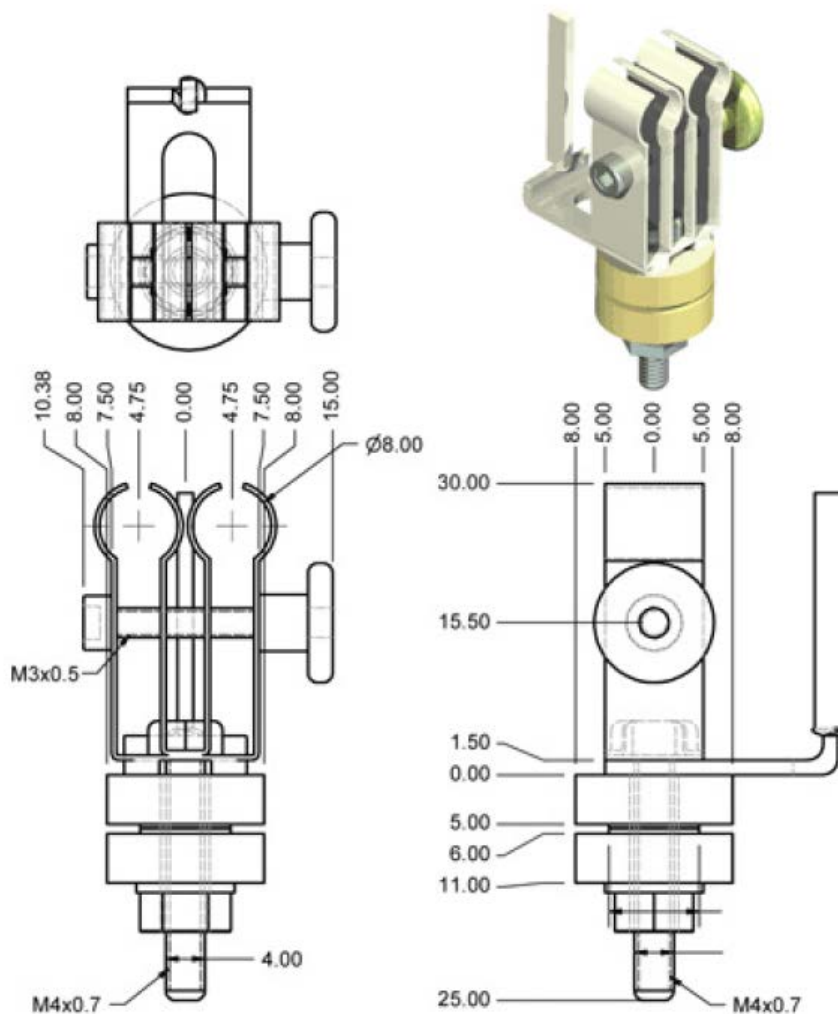




## Ring Lamp Clamp

### Ring Lamp Clamp



**all dimensions in mm**

USA  
**Heraeus Noblelight America LLC**  
 1520C Broadmoor Blvd.  
 Buford, GA 30518

Phone +1 678 835-5764  
 Fax +1 678 835-5765  
 info.hna.ip@heraeus.com  
 www.heraeus-thermal-solutions.com