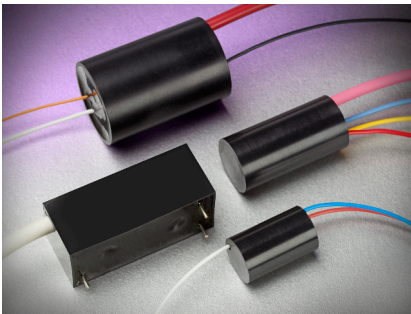


Heraeus Trigger Transformers



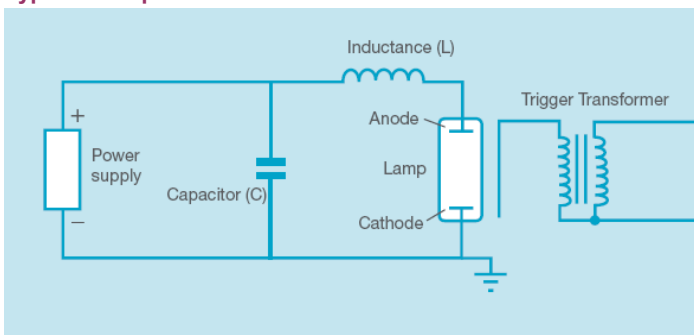
In most cases, arc lamps require a trigger pulse to cause the initial ionisation of the gas. This pulse is usually in the order of 20 – 30 kV with a pulse width of a few microseconds. In the case of pulse lamps without a simmer supply, the lamp needs to be triggered for every pulse. Simmered pulse lamps and CW lamps are only triggered when the lamp is switched on.

Heraeus Noblelight offers quality transformers for external triggering of lamps. Individual data sheets are available on request.

Technical data

Model	NL-102	NL-103	NL-104	NL-105
Triggering method	external	external	external	external
Maximum input voltage (V)	400	200	400	400
Output voltage (kV)	26	20	20	26
Turns ratio	71.1 : 1	102 : 1	50 : 1	71.1 : 1
Primary inductance (µH)	11 ± 3	6.6	55 ± 10	11 ± 3
Diameter (mm)	16	25.4	12.7	-
Length (mm)	35	38	21.8	16.5 x 17.8 x 43.2
Equivalent to	PerkinElmer ZS1031/11	PerkinElmer TR180-B	Amglo VE20-1	PerkinElmer ZS1032/05

Typical set up



International contact
Heraeus Noblelight Ltd.
 Cambridge Science Park
 Cambridge CB4 0FQ
 Phone +44 1223 423324
 Fax +44 1223 423999
 hnl-laserlamps@heraeus.com
 www.heraeus-noblelight.com/arcflash

USA
Heraeus Noblelight LLC
 1520C Broadmoor Blvd.
 30518 Buford, GA
 Phone +1(770)418 0707
 Fax +1(770)418 0688
 info@noblelight.net

China
Heraeus Noblelight (Shenyang) LTD.
 5F, 16th Building,
 No. 99 Tianzhou Road
 200233 Shanghai
 Phone +8621 5445-2255
 Fax +8621 5445 2410