



## F600S UV Lamp System Parts Listing

Document No. 588631 Revision R, dated June 2016

© Copyright 2011-2016 Heraeus Noblelight America LLC  
All Rights Reserved.

Heraeus Noblelight America LLC  
910 Clopper Road  
Gaithersburg, MD 20878-1357 USA  
301-527-2660 • FAX 301-527-2661

Heraeus Noblelight America LLC reserves the right to make changes without prior announcement.

## F600S REPLACEMENT PARTS

**This document replaces any parts listings that may be contained within the F600S Installation, Operation, and Maintenance Manual.**

Contained within this document are the part numbers for your genuine Heraeus UV parts. Heraeus Noblelight America LLC (formerly Fusion UV Systems) received full ISO certification in 1993 and we maintain that certification today to the ISO 9001:2008 standard, which underscores our commitment to providing the highest quality components, systems, support, training, process development, and after sales service.

For the most current Replacement Parts Listing for the F600S system, please visit:

<http://www.heraeus-noblelight.com/spareparts>

### On-Line Store

Customers can now place parts orders online\*. Our Web Store provides a new level of efficiency and convenience and features:

- 24/7 access
- fully secure website
- pictorial catalog of parts
- ability to review open or closed parts orders, invoices, and returns
- ability to track your parts shipments
- A discount is given for ALL parts ordered online

If you are not yet registered for the Web Store but would like to do so, please contact Sales Support on 1-301-990-8600 or [salesupport.hna.uvp@heraeus.com](mailto:salesupport.hna.uvp@heraeus.com).

\* Only customers who place orders directly with Heraeus Noblelight America LLC may register for the online store. If you currently order parts through a local Heraeus Noblelight distributor, please contact them directly for all parts orders.

## Customer Support

The following groups within Heraeus Noblelight America LLC are available to provide customer support.

### Sales Support

The Sales Support group is responsible for the processing of domestic and international quotation requests as well as the purchase orders of spare parts, systems, and online orders.

Contact Sales Support at [salesupport.hna.uvp@heraeus.com](mailto:salesupport.hna.uvp@heraeus.com).

### Technical Service

The Technical Service group is responsible for worldwide after sales support including repair services whether returned to a Heraeus Noblelight Service Center or at the customer site. This group also provides new equipment commissioning, maintenance and operator training, telephone/email/fax support, maintenance programs such as multi-level service contracts, and certified rebuilt equipment. Our service staff averages nearly 16 years of hands-on experience with Fusion UV equipment!

Contact Technical Services at [techservice.hna.uvp@heraeus.com](mailto:techservice.hna.uvp@heraeus.com).

### Applications Engineering

The Applications Engineering group concentrates on the optimization of a customer's UV process or proposed process and in assisting customers with troubleshooting of their UV curing process. Their expertise includes system selection and configuration; determination of system size, lamp type, and optics; machine design concepts, integration; and air handling systems and measurement (radiometry and thermometry).

This group oversees and operates the Applications Lab in which processes can be developed, demonstrated, or refined using any of a wide range of UV exposure equipment available, including all lamp and bulb types.

Contact Applications Engineering at [info.hna.uvp@heraeus.com](mailto:info.hna.uvp@heraeus.com).

## Irradiator Models



**I600M Irradiator**

The various irradiator models manufactured by Heraeus Noblelight are listed below.

### Irradiator Models

<b>Irradiator Model</b>	<b>Connectors</b>	<b>Air Delivery</b>
I600M	Front Connections	Top Connect Plenum
I601M	Top Connections	Top Connect Plenum
I602M	Front Connections	Rear Connect Plenum
I603M	Top Connections	Rear Connect Plenum
I606M	Front Connections	Rear Connect Plenum with alignment slots for tower mounting

## PM Kits

There are two types of Preventive Maintenance kits available: Basic and Deluxe. The Basic PM kit contains a UV bulb, RF screen, and R500 reflector. This kit is for the routine maintenance inspections. The Deluxe PM kit contains UV bulb, RF screen, R500 reflector, magnetron pair, photocell, and pressure switch. This kit is for a complete irradiator rebuild.

### Basic PM Kits

Description	Heraeus Part Number
PM Basic kit, contains 13 mm UV bulb (BT13H), QCS RF screen kit, and QCS R500 swept reflector kit with elastomer gaskets	80130865
PM Basic kit, contains 13 mm UV bulb (BT13D), QCS RF screen kit, and QCS R500 swept reflector kit with elastomer gaskets	80130866
PM Basic kit, contains 13 mm UV bulb (BT13H+), QCS RF screen kit, and QCS R500 swept reflector kit with elastomer gaskets	80130867
PM Basic kit, contains 13 mm UV bulb (BT13H), QCS RF screen kit, and QCS R500 non-swept reflector kit with elastomer gaskets	80130868
PM Basic kit, contains 13 mm UV bulb (BT13D), QCS RF screen kit, and QCS R500 non-swept reflector kit with elastomer gaskets	80130869

### Deluxe PM Kits

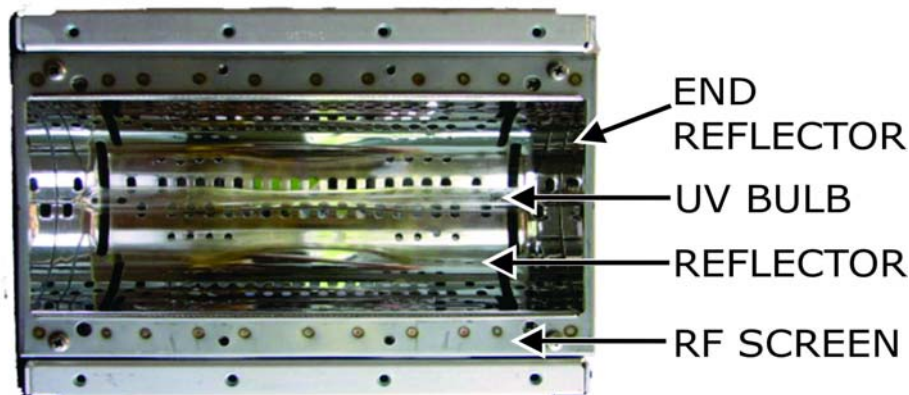
Description	Heraeus Part Number
I600M Deluxe PM kit, contains 13 mm UV bulb (BT13H), QCS RF screen kit, QCS R500 swept reflector kit with elastomer gaskets, magnetron kit, photocell, and pressure switch	80132591
I600M Deluxe PM kit, contains 13 mm UV bulb (BT13D), QCS RF screen kit, QCS R500 swept reflector kit with elastomer gaskets, magnetron kit, photocell, and pressure switch	80135608
I600M Deluxe PM kit, contains 13 mm UV bulb (BT13H+), QCS RF screen kit, QCS R500 swept reflector kit with elastomer gaskets, magnetron kit, photocell, and pressure switch	80132592
I600M Deluxe PM kit, contains 13 mm UV bulb (BT13H), QCS RF screen kit, QCS R500 non-swept reflector kit with "209" end reflectors and elastomer gaskets, magnetron kit, and photocell	80135609

## I600M Series Irradiator Parts Lists

### I600M Replacement Bulb Part Numbers

<b>Bulb Type</b>	<b>Description</b>	<b>Heraeus Part Number</b>
H bulb	Bulb, UV, BT13H, single bulb (standard)	558472
	Bulb Kit, 10", BT13H, 13 mm, 1 bulb *	558482
	Bulb Kit, 10", BT13H, 13 mm, 2 bulbs *	570242
	Bulb Kit, 10", BT13H, 13 mm, 3 bulbs *	570252
D bulb, 13 mm	Bulb, UV, BT13D, single bulb (optional)	558474
	Bulb Kit, 10", BT13D, 13 mm, 1 bulb *	558484
	Bulb Kit, 10", BT13D, 13 mm, 2 bulbs *	570244
	Bulb Kit, 10", BT13D, 13 mm, 3 bulbs *	570254
D bulb, 11 mm	Bulb, UV, BT11D, single bulb (optional)	558454
	Bulb Kit, 10", BT11D, 11 mm, 1 bulb *	558464
	Bulb Kit, 10", BT11D, 11 mm, 2 bulbs *	570224
	Bulb Kit, 10", BT11D, 11 mm, 3 bulbs *	570234
V bulb	Bulb, UV, BT13V, single bulb (optional)	558477
	Bulb Kit, 10", BT13V, 13 mm, 1 bulb *	558487
	Bulb Kit, 10", BT13V, 13 mm, 2 bulbs *	570247
	Bulb Kit, 10", BT13V, 13 mm, 3 bulbs *	570257
H+ bulb	Bulb, UV, BT13H+, single bulb (optional)	558471
	Bulb Kit, 10", BT13H+, 13 mm, 1 bulb *	558481
	Bulb Kit, 10", BT13H+, 13 mm, 2 bulbs *	570241
	Bulb Kit, 10", BT13H+, 13 mm, 3 bulbs *	570251
Q bulb	Bulb, UV, BT13Q, single bulb (optional)	558478
	Bulb Kit, 10", BT13Q, 13 mm, 1 bulb *	558488
M bulb	Bulb, UV, BT13M, single bulb (optional)	558475
	Bulb Kit, 10", BT13M, 13 mm, 1 bulb *	558485
Lab Kit	Bulb Lab kit (contains one each of BT13H, BT13D, and BT13V) *	570352

\* Bulb kits contain bulb(s), latex glove, alcohol swab, RF screen screws, and instructions.



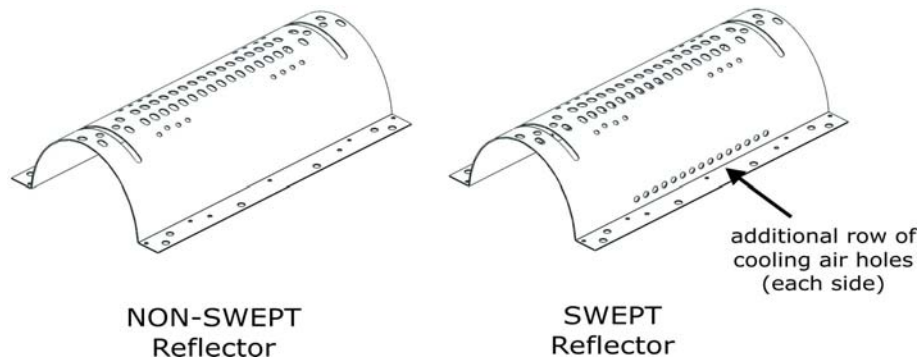
**Irradiator Components, Bottom view**

**1600M Reflector Replacement Part Numbers**

<b>Reflector Type</b>	<b>Description</b>	<b>Heraeus Part Number</b>
End	End Reflector Kit, R500 (1 pair) (standard) (includes elastomer gaskets)	80130626
	End Reflector Kit, R500 (1 pair), "209" hole location (includes elastomer gaskets)	80130627
R500	Reflector assembly kit, R500, swept (includes main QCS reflector, two end reflectors, and elastomer gaskets) (see note)	80130714
	Reflector assembly kit, R500, non-swept (includes main QCS reflector, 2 end reflectors and elastomer gaskets) (see note),	80130715
R500/"209"	Reflector assembly kit, R500, swept, "209" (includes main QCS reflector, 2 "209" end reflectors, and elastomer gaskets) (see note)	80130721
	Reflector assembly kit, R500, non-swept (includes main QCS reflector, 2 "209" end reflectors, and elastomer gaskets) (see note)	80130722
Dichroic	Reflector assembly kit, Dichroic, swept (cold/R500) (includes dichroic main QCS reflector, 2 R500 end reflectors, and elastomer gaskets) (see note)	80130720
	Reflector assembly kit, Dichroic, non-swept (cold/R500) (includes dichroic main QCS reflector, 2 R500 end reflectors, and elastomer gaskets) (see note)	80130719
Dichroic Plus	Reflector assembly kit, Dichroic Plus, non-swept (cold/R500) (includes dichroic main reflector, 2 R500 end reflectors, and elastomer gaskets), I600M	80130725
	Reflector assembly kit, Dichroic Plus, swept (cold/R500) (includes dichroic main reflector, 2 R500 end reflectors, and elastomer gaskets), I600M	80130726
Dichroic Plus "209"	Reflector assembly kit, Dichroic Plus, non-swept "209" (includes dichroic main reflector, 2 "209" end reflectors, and elastomer gaskets), I600M	80130727
	Reflector assembly kit, Dichroic Plus, swept "209" (includes dichroic main reflector, 2 "209" end reflectors, and elastomer gaskets), I600M	80130728
Gaskets	RF gasket kit (contains pairs of reflector end and reflector elastomer gaskets)	80130191
Hardware	Kit, Reflector hardware (contains additional hardware for older-style screens)	80131353



**NOTE: Reflector type is specified at the time of purchase. Swept reflectors are designed to direct ambient air flow away from the UV bulb and reflector. If you plan to replace a non-swept reflector with a swept reflector, you must verify that your cooling blower is adequately sized. Refer to the cooling requirements contained within the Product Manual. If your blower does not meet the cooling requirements for all connected lamp housings, you must increase the capacity of your cooling system. For assistance, consult Heraeus Noblelight Technical Services.**



**Non-Swept vs. Swept Reflectors**

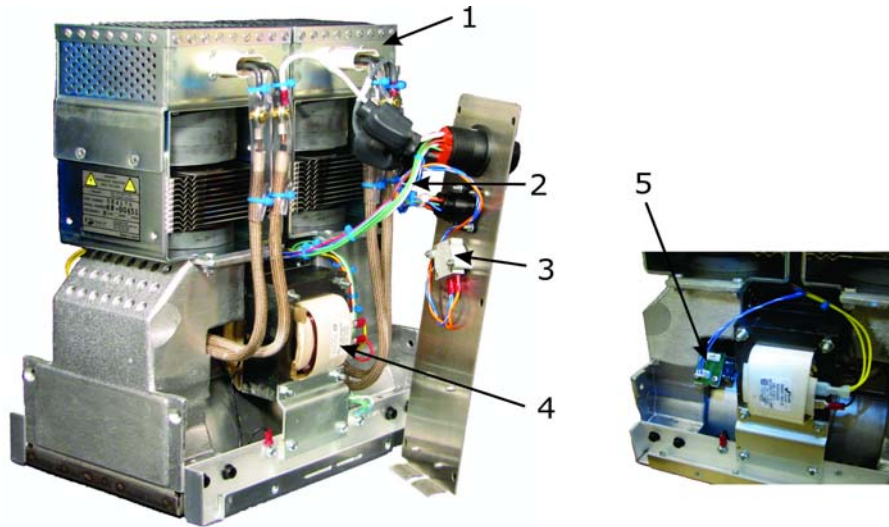
As shown in the Figure above, swept-type reflectors contain one additional row of cooling air holes per side. Swept reflectors help reduce fouling from contamination present in the curing zone under the lamp.

There is no need to use swept-type reflectors in quartz window or F10T/C10T applications since the reflector assembly is isolated from the curing zone. If swept reflectors are installed in these applications, blowers that provide additional pressure and flow are required.

**1600M Screen Replacement Part Numbers**

Description	Heraeus Part Number
RF Screen assembly replacement kit, Quick Change Screen, 10-inch systems	581742

**NOTE: The Quick Change Screen (QCS) and the associated reflector are factory installed on irradiators manufactured after May 2011. The new QCS screen will fit on existing reflectors; however, the screws will need to be replaced with the non-captive M3 screws provided in the replacement kit. The screen mounting holes on the new Reflectors have changed to allow use of the new QCS and the captive screws. The previous style screen (non-captive screws) will not fit on the new reflector.**



**I600M Irradiator Components**

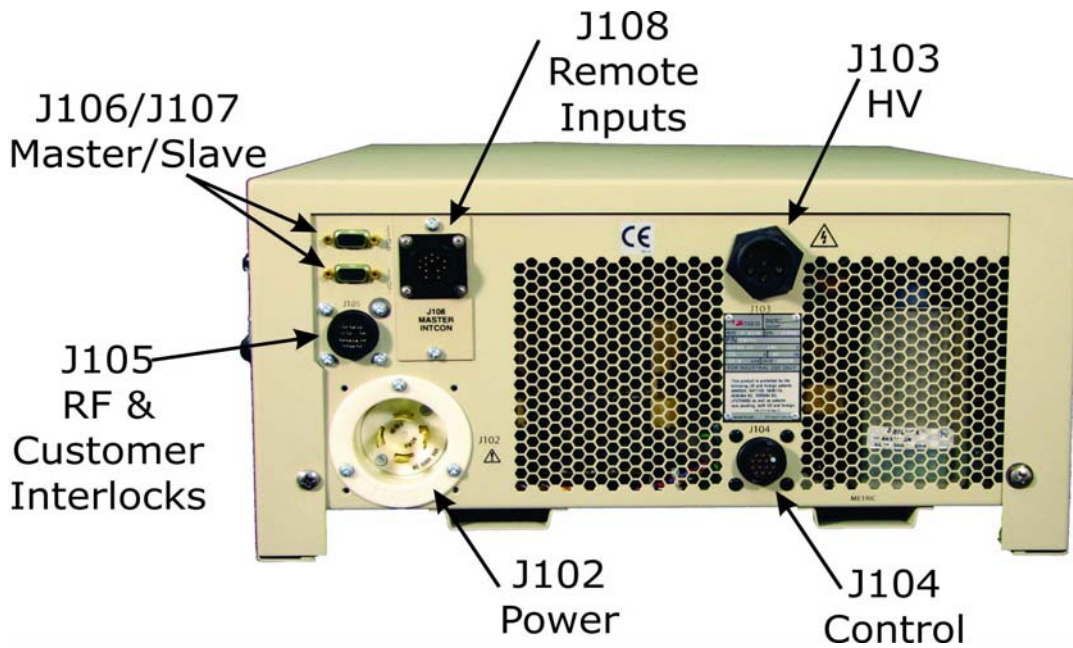
**I600M Irradiator Replacement Part Numbers**

Item #	Description	Reference Designator	Heraeus Part Number
1	Magnetron Kit, I600M, pair	Mag A, Mag B	234323
2	Harness Assembly, I600M	J10/J11/J30	512691
3	Switch, Air Pressure	S201	26079
4	Transformer Kit, filament, I600M, 50/60 Hz	T201, T202	36505
5	Photodetector Assembly kit, direct view	A201	255063
Air Baffles / Air Flanges (not shown)	Air Baffle, I606M only	--	529132
	Air dam (located behind filament transformers)	--	276311
	Air Flange/Plenum Assembly, I600M	--	213912
	Air Flange/Plenum Assembly, I601M only	--	573901
	Air Flange/Plenum Assembly, I602M and I603M only	--	270811
not shown	Handle, utility	--	30397
not shown	Screw, socket head, M6 (2 per handle)	--	110821
not shown	Hex nut, plastic, HV connector	J10	254101
not shown	O-ring, silicone, I606 only (air plenum opening)		85975
not shown	Spring, compression, I606 only (for tower mounting)		511391
not shown	Bolt, captive, M8, I606 only (for tower mounting)		511181

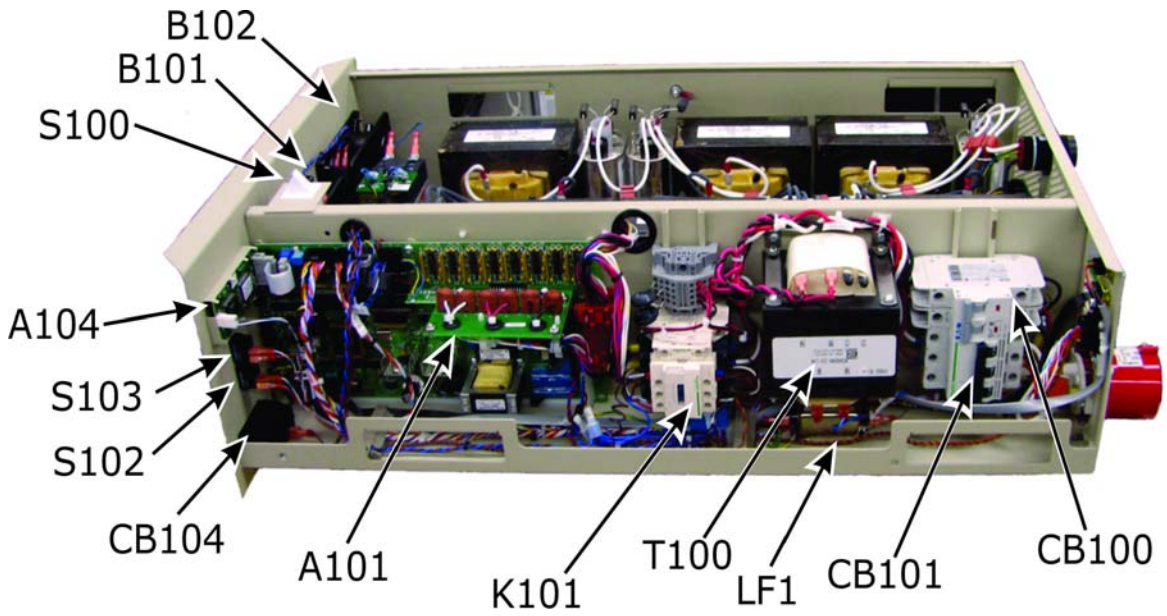
## P600M Power Supply Parts



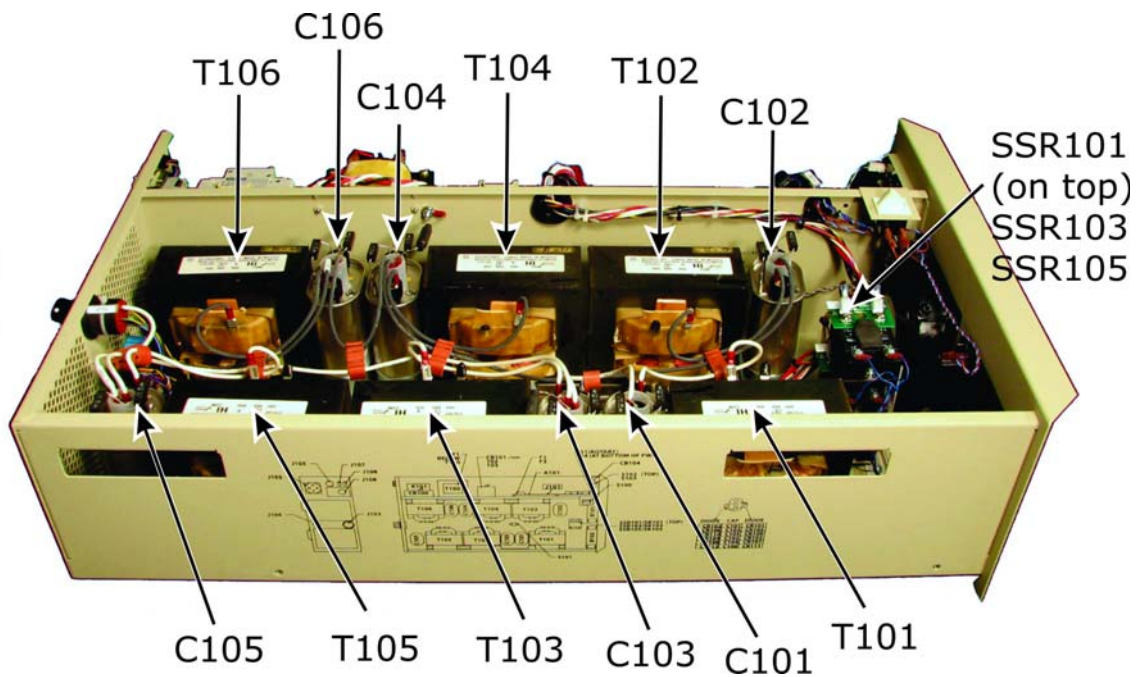
**P600M Power Supply Components (Front)**



**P600M Power Supply Components (Rear)**



**P600M Power Supply Components (Right side)**



**P600M Power Supply Components (Left side)**

### P600M Power Supply Parts

Reference Designator	Description	Heraeus Part Number
not shown	Bracket, capacitor, oval	222294
C101-C106	Capacitor kit, 0.68 MFD, 3.0 kVAC (60 Hz) with bracket	596512
C101-C106	Capacitor kit, 0.82 MFD, 3.0 kVAC (50 Hz) with bracket	596511
C101-C106	Capacitor only, 0.68 MFD, 3.0 kVAC (60 Hz) without bracket	595342
C101-C106	Capacitor only, 0.82 MFD, 3.0 kVAC (50 Hz) without bracket	595341
	Chipset, F600S, version 3.8	598761
CB101	Circuit Breaker, Thermal magnetic, 3-pole, 20A, 480V (replacement for Systems manufactured after September 2008 with serial numbers later than 20469)	583411
CB101-CB103	Circuit Breaker, Thermal magnetic, 2-pole, 13A, 480V (replacement for System serial numbers lower than 20417 and select other S/Ns)	242039
CB100	Circuit Breaker, 2-pole, 4A, 480V (used in serial numbers lower than 21380 and manufactured prior to October 2011)	528371
CB100	Circuit Breaker, 2-pole, 1.5A (used in SN 21380 and later)	591951
CB104	Circuit Breaker, 3A, 250V	241761
not shown	Clip, HV wiring, silicone	326632
K101	Contact, 4PST, 35A, 660V	270396
K101 Aux	Contact, Auxiliary contacts, 10A	594231
A104	Display Assembly, LCD, 2-line, P600	213161
B101, B102	Fan kit, 230V 50/60 Hz	576701
LF1	Filter, Line (RFI)	212152
F1	Fuse, 1.6A time delay, 250V, 5x20mm	302613
F2	Fuse, 0.315A, 250V, 3x20mm	243739
A105 (not shown)	Master Input/Output Module	213263
P105	Plug Assembly, P105, jumpered, RF slave	91241UV
A101	PWB kit, P600, Control (includes delay board)	583441
A102	PWB Assembly, J104 Interface	511471
CR101-CR112	Rectifier, HV, 12kV	592981
SK101, SK103, SK105	RFI Suppressor Network Assembly	222592
SSR101, SSR103, SSR105	Solid State Relay Tree	253251
	Software chipset kit, version 3.8	598761
S100	Switch, Limit, SPST, N.O.	26336
S102, S103	Switch, Lever, SPDT, 0.4VA	242002
S101	Switch, Thermal Interlock	26365
T101-T106	Transformer, HV, 400/460/480V, 60 Hz	215102
T101-T106	Transformer, HV, 380/415/440V, 50 Hz	215111
T100	Transformer, Internal Control Voltage	278352

## P600M Cable, Harness, and Wires Assembly Part Numbers

Reference Designator	Description	Heraeus Part Number
P4 to P53	Cable Assembly, P600 Internal, Customer I/O to board	213301
P7 to J106 & J107	Cable Assembly, F600 Bus (Internal)	295111
J105, P12	Harness Assembly, Lamp Interface	513341
	Harness Assembly, Contactor to Thermistors	594241
J103	HV Harness (50 or 60 Hz)	513351
J102	Power Inlet Harness, 380-415V (red IEC-309 connector)	298411
J102	Power Inlet Harness, 460V-480V (white connector)	340161
T101, C101, T103, C103, T105, C105	Wire Assembly, HV, white, short	214121
T102, C102, T104, C104, T106, C106	Wire Assembly, HV, black, short	214123
C103, C105	Wire Assembly, HV, white, long	214122
C102, C104	Wire Assembly, HV, black, long	214124

## Miscellaneous Parts

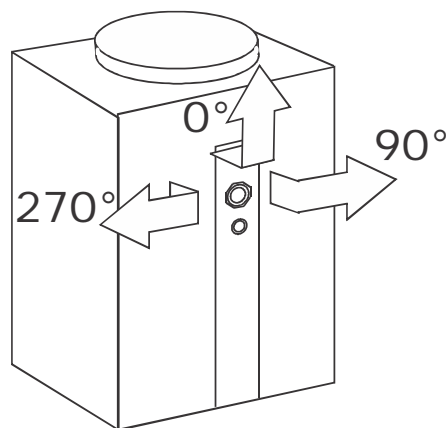
Reference Designator	Description	Heraeus Part Number
RF-1	RF Detector Kit, Heraeus Noblelight	79961UV
—	Contact Block, NC, 600V, 6A	33151
—	E-STOP Switch (Optional), operator button, red mushroom	33145UV

## Optional Accessories

Description	Heraeus Part Number
Reflector, external end, R500, 1 piece	43271
Quartz Plate, high grade, 6 in. x 10 in. x 0.090 in.	300292
Quartz Plate, high grade, 6 in. x 12 in. x 0.090 in.	300293

## Connectors and Contacts

Reference Designator	Description	Heraeus Part Number
J102	Connector, Inlet, male, IEC-309, 380-415 V, 32A (red connector)	241973
J102	Connector, Inlet, 4-wire, 460-480V, 30A (white connector)	90181UV
P102	Connector, female, IEC-309, 3P+PE, 380-415 V, 32A (red/white connector)	241974
P102	Connector, female, 4-wire, 3P, 460-480V, 30A (black/white connector)	90191UV
P108	Connector, plug, 16 CKT, customer I/O and remote control	215741
P105	Connector, plug, 14 CKT, control input with jumpers (1 for each Slave power supply)	91241UV
—	Connector Contact Kit (includes extraction tool and both 16-18 GA pin and socket contacts for P105 and P108 connectors (10 sockets and 20 pins))	43043UV
P105/P108	Housing, strain relief	25811
J10/P10 Adapter	Adapter, HV Connector, J10/P10, right angle, 0°	509411
	Adapter, HV Connector, J10/P10, right angle, 90°	509412
	Adapter, HV Connector, J10/P10, right angle, 180°	not applicable
	Adapter, HV Connector, J10/P10, right angle, 270°	509414
—	HV Connector Collar repair kit	323841
—	Tool, contact removal	43031



**Right Angle Connectors**

## Interconnect Cables

Cable lengths not listed in the table below may be available on a custom basis. Contact Heraeus Noblelight America LLC for assistance.

## F600S Interconnect Cables

From	To	Description	Length		Heraeus Part Number
			(M)	(Ft)	
P600M Power Supply	I600M Series Irradiator	HV/Irradiator Cable Assembly	2	6.6	328491
			4	13	328492
			6	20	328493
			8	26	328494 (std)
			11	36	328495
			14	46	328496
			17	56	328497
			21	69	328498
			26	85	328499
			31	102	328501
			38	125	328502
P600M Power Supply	RF-1	RF-1 Cable Assembly	2	6.6	329281
			2.5	8	329292
			4	13	329282
			5	16	329293
			6	20	329283
			8	26	329284 (std)
			11	36	329285
			14	46	329286
			17	56	329287
			21	69	329288
			26	85	329289
			31	102	329291
			38	124	329294
P600M Power Supply	P600M Power Supply	System Interconnect Cable Assembly	1.8	6	261635
			3.1	10	261634



**F600S Interconnect Cables** *(continued)*

From	To	Description	Length		Heraeus Part Number
			(M)	(Ft)	
P600M Power Supply	P600 (English) Power Supply	System Interconnect Cable Adapter	0.5	1.64	298881
			1	3.28	298882
			1.8	5.9	298883
			3	9.8	298884

**When mixing P600M with older P600 English Power supplies, a special adapter cable is required to connect J107 to J106.**

## Numerical Listing of Replacement Parts

### Numerical Listing of F600S Parts

Description	Heraeus Part Number
Switch, Air Pressure, S201	26079
Switch, Limit, SPST, N.O., S100	26336
Switch, Thermal Interlock, S101	26365
Handle, utility	30397
Transformer Kit, filament, 50/60 Hz, T201/T202	36505
Plug, P105, jumpered	91241UV
Filter, Line (RFI)	212152
Display Assembly, LCD, 2-line, P600, A104	213161
Master Input/Output Module, A105	213263
Air Flange Assembly, I600M	213912
Transformer, HV, 400/460/480V, T101-T106, 60 Hz	215102
Transformer, HV, 380/415/440V, T101-T106, 50 Hz	215111
Bracket, capacitor, oval (for C101-C106)	222294
RFI Suppressor Network Assembly	222592
Magnetron Kit, I600M, pair	234323
Circuit Breaker, 3A, 250V, CB104	241761
Switch, Lever, SPDT, 0.4VA, S102/S103	242002
Fuse, 0.315A, 250V, 3x20mm, F2	243739
Solid State Relay Tree, SSR101, SSR103, SSR105	253251
Hex nut, plastic, HV connector	254101
Photodetector Assembly kit, direct view	255063
Contact, 4PST, 35A, 660V, K101	270396
Air Flange Assembly, I602M and I603M only	270811
Air dam	276311
Transformer, Internal Control Voltage	278352
Fuse, 1.6A time delay, 250V, 5x20mm, F1	302613
Clip, HV wiring	326632
PWB Assembly, J104 Interface, A102	511471
Harness Assembly, I600M	512691
Circuit Breaker, 2-pole, 4A, 480V (used in serial numbers lower than 21380 and manufactured prior to October 2011), CB100	528371
Air Baffle, I606M only	529132
Bulb, UV, BT11D, single bulb	558454

### Numerical Listing of F600S Parts

Description	Heraeus Part Number
Bulb Kit, 10", BT11D, 11 mm, 1 bulb	558464
Bulb, UV, BT13H+, single bulb	558471
Bulb, UV, BT13H, single bulb (standard)	558472
Bulb, UV, BT13D, single bulb	558474
Bulb, UV, BT13M, single bulb	558475
Bulb, UV, BT13V, single bulb	558477
Bulb, UV, BT13Q, single bulb	558478
Bulb Kit, 10", BT13H+, 13 mm, 1 bulb	558481
Bulb Kit, 10", BT13H, 13 mm, 1 bulb	558482
Bulb Kit, 10", BT13D, 13 mm, 1 bulb	558484
Bulb Kit, 10", BT13M, 13 mm, 1 bulb	558485
Bulb Kit, 10", BT13V, 13 mm, 1 bulb	558487
Bulb Kit, 10", BT13Q, 13 mm, 1 bulb	558488
Bulb Kit, 10", BT11D, 11 mm, 2 bulbs	570224
Bulb Kit, 10", BT11D, 11 mm, 3 bulbs	570234
Bulb Kit, 10", BT13H+, 13 mm, 2 bulbs	570241
Bulb Kit, 10", BT13H, 13 mm, 2 bulbs	570242
Bulb Kit, 10", BT13D, 13 mm, 2 bulbs	570244
Bulb Kit, 10", BT13V, 13 mm, 2 bulbs	570247
Bulb Kit, 10", BT13H+, 13 mm, 3 bulbs	570251
Bulb Kit, 10", BT13H, 13 mm, 3 bulbs	570252
Bulb Kit, 10", BT13D, 13 mm, 3 bulbs	570254
Bulb Kit, 10", BT13V, 13 mm, 3 bulbs	570257
Bulb Lab kit (contains one each of BT13H, BT13D, and BT13V) *	570352
Air Flange Assembly, I601M only	573901
Fan kit, 230V 50/60 Hz, B101/B102	576701
RF Screen assembly replacement kit, Quick Change Screen, 10-inch systems	581742
Circuit Breaker, Thermal magnetic, 3-pole, 20A, 480V, CB101	583411
PWB kit, P600, Control (includes delay board)	583441
Circuit Breaker, 2-pole, 1.5A (used in serial numbers 21380 and later), CB100	528371
Rectifier, HV, 12kV, CR101-CR112	592981
Contact, Auxiliary contacts, 10A, K101 Aux	594231
Capacitor, 0.82 MFD, 3.0 kVAC (50 Hz) without bracket	595341
Capacitor, 0.68 MFD, 3.0 kVAC (60 Hz) without bracket	595342
Capacitor kit, 0.82 MFD, 3.0 kVAC (50 Hz) with bracket	596511
Capacitor kit, 0.68 MFD, 3.0 kVAC (60 Hz) with bracket	596512
RF gasket kit (contains pairs of reflector end and reflector elastomer gaskets)	80130191

### Numerical Listing of F600S Parts

Description	Heraeus Part Number
End Reflector Kit, R500 (1 pair) (standard) (includes elastomer gaskets)	80130626
End Reflector Kit, R500 (1 pair), "209" hole location (includes elastomergaskets)	80130627
Reflector assembly kit, R500, swept (includes main QCS reflector, two end reflectors, and elastomer gaskets) (standard)	80130714
Reflector assembly kit, R500, non-swept (includes main QCS reflector, 2 end reflectors, and elastomer gaskets)	80130715
Reflector assembly kit, Dichroic, non-swept (cold/R500) (includes dichroic main QCS reflector, 2 R500 end reflectors, and elastomer gaskets)	80130719
Reflector assembly kit, Dichroic, swept (cold/R500) (includes dichroic main QCS reflector, 2 R500 end reflectors, and elastomer gaskets)	80130720
Reflector assembly kit, R500, swept, "209" (includes main QCS reflector, 2 "209" end reflectors, and elastomer gaskets)	80130721
Reflector assembly kit, R500, non-swept (includes main QCS reflector, 2 "209" end reflectors, and elastomer gaskets)	80130722
Reflector assembly kit, Dichroic Plus, non-swept (cold/R500) (includes dichroic main reflector, 2 R500 end reflectors, and elastomer gaskets), I600M	80130725
Reflector assembly kit, Dichroic Plus, swept (cold/R500) (includes dichroic main reflector, 2 R500 end reflectors, and elastomer gaskets), I600M	80130726
Reflector assembly kit, Dichroic Plus, non-swept "209" (includes dichroic main reflector, 2 "209" end reflectors, and elastomer gaskets)	80130727
Reflector assembly kit, Dichroic Plus, swept "209" (includes dichroic main reflector, 2 "209" end reflectors, and elastomer gaskets)	80130728
PM Basic kit, contains 13 mm UV bulb (BT13H), QCS RF screen kit, and QCS R500 swept reflector kit with elastomer gaskets	80130865
PM Basic kit, contains 13 mm UV bulb (BT13D), QCS RF screen kit, and QCS R500 swept reflector kit with elastomer gaskets	80130866
PM Basic kit, contains 13 mm UV bulb (BT13H+), QCS RF screen kit, and QCS R500 swept reflector kit with elastomer gaskets	80130867
PM Basic kit, contains 13 mm UV bulb (BT13H), QCS RF screen kit, and QCS R500 non-swept reflector kit with elastomer gaskets	80130868
PM Basic kit, contains 13 mm UV bulb (BT13D), QCS RF screen kit, and QCS R500 non-swept reflector kit with elastomer gaskets	80130869
Kit, Reflector hardware (contains additional hardware for older-style screens)	80131353
I600M Deluxe PM kit, contains 13 mm UV bulb (BT13H), QCS RF screen kit, QCS R500 swept reflector kit with elastomer gaskets, I600M magnetron kit, photocell, and pressure switch	80132591
I600M Deluxe PM kit, contains 13 mm UV bulb (BT13H+), QCS RF screen kit, QCS R500 swept reflector kit with elastomer gaskets, I600M magnetron kit, photocell, and pressure switch	80132592
I600M Deluxe PM kit, contains 13 mm UV bulb (BT13D), QCS RF screen kit, QCS R500 swept reflector kit with elastomer gaskets, I600M magnetron kit, photocell, and pressure switch	80135608
I600M Deluxe PM kit, contains 13 mm UV bulb (BT13H), QCS RF screen kit, QCS R500 non-swept reflector kit with "209" end reflectors and elastomer gaskets, magnetron kit, and photocell	80135609



---

## Heraeus Noblelight America LLC

910 Clopper Road  
Gaithersburg, MD 20878-1357 USA  
[www.heraeus-noblelight.com/fusionuv](http://www.heraeus-noblelight.com/fusionuv)

Phone: +1 301-527-2660  
Fax: (Technical Service) +1 301-527-2663  
Fax: (Sales) +1 301-527-2661  
email: [info.hna.uvp@heraeus.com](mailto:info.hna.uvp@heraeus.com)

---

## Heraeus Noblelight GmbH

Heraeusstraße 12-14  
63450 Hanau, Germany

Phone: +49 6181 35 4966  
Fax: +49 6181 35 9926  
email: [hng-uv@heraeus.com](mailto:hng-uv@heraeus.com)

---

## Heraeus K.K.

Noblelight Division  
Sumitomo Fudosan Otowa  
Bldg. 1F, 2F, 5F  
2-9-3 Otsuka, Bunkyo-ku,  
112-0012, Tokyo Japan

Phone: +81 3 6902 6602  
Fax: +81 3 6902 6613  
email: [info.hkk@heraeus.com](mailto:info.hkk@heraeus.com)

---

## Heraeus Noblelight (Shenyang) Ltd.

Shanghai Branch  
2F, Building 5, No. 406 Guilin Road  
Xuhui District  
Shanghai 200233, P.R. China

Phone: +86 (21) 3357 5555  
Fax: +86 (21) 3357 5333  
email: [info.hns@heraeus.com](mailto:info.hns@heraeus.com)