



LightHammer 10 Mark II UV Lamp System Parts Listing

Document No. 604271 Revision D, dated May 2016

© Copyright 2014-2016 Heraeus Noblelight America LLC
All Rights Reserved.

Heraeus Noblelight America LLC
910 Clopper Road
Gaithersburg, MD 20878-1357 USA
301-527-2660 • FAX 301-527-2661

Heraeus Noblelight America LLC reserves the right to make changes without prior announcement.

REPLACEMENT PARTS

Contained within this document are the part numbers for your genuine Heraeus UV parts. Heraeus Noblelight America LLC (formerly Fusion UV Systems) received full ISO certification in 1993 and we maintain that certification today to the ISO 9001:2008 standard, which underscores our commitment to providing the highest quality components, systems, support, training, process development, and after sales service.

For the most current Replacement Parts Listing for the Light Hammer 10 Mark II system, please visit:

<http://www.heraeus-noblelight.com/spareparts>

On-Line Store

Customers can now place parts orders online*. Our Web Store provides a new level of efficiency and convenience and features:

- 24/7 access
- fully secure website
- pictorial catalog of parts
- ability to review open or closed parts orders, invoices, and returns
- ability to track your parts shipments
- A discount is given for ALL parts ordered online

If you are not yet registered for the Web Store but would like to do so, please contact Sales Support on 1-301-990-8600 or salesupport.hna.uvp@heraeus.com.

* Only customers who place orders directly with Heraeus Noblelight America LLC may register for the online store. If you currently order parts through a local Heraeus Noblelight distributor, please contact them directly for all parts orders.

Customer Support

The following groups within Heraeus Noblelight America LLC are available to provide customer support.

Sales Support

The Sales Support group is responsible for the processing of domestic and international quotation requests as well as the purchase orders of spare parts, systems, and online orders.

Contact Sales Support at salesupport.hna.uvp@heraeus.com.

Technical Service

The Technical Service group is responsible for worldwide after sales support including repair services whether returned to a Heraeus Noblelight Service Center or at the customer site. This group also provides new equipment commissioning, maintenance and operator training, telephone/email/fax support, maintenance programs such as multi-level service contracts, and certified rebuilt equipment. Our service staff averages nearly 16 years of hands-on experience with Fusion UV equipment!

Contact Technical Services at techservice.hna.uvp@heraeus.com.

Applications Engineering

The Applications Engineering group concentrates on the optimization of a customer's UV process or proposed process and in assisting customers with troubleshooting of their UV curing process. Their expertise includes system selection and configuration; determination of system size, lamp type, and optics; machine design concepts, integration; and air handling systems and measurement (radiometry and thermometry).

This group oversees and operates the Applications Lab in which processes can be developed, demonstrated, or refined using any of a wide range of UV exposure equipment available, including all lamp and bulb types.

Contact Applications Engineering at info.hna.uvp@heraeus.com.

Irradiator Models



Figure 45: LHI 10 Irradiator

The various irradiator models manufactured by Heraeus Noblelight are listed below.

Table 1: Irradiator Models

Irradiator Model	Connectors	Air Delivery
LHI10	Front Connections	Top Connect Plenum
LHI10_01	Top Connections	Top Connect Plenum
LHI10_02	Front Connections	Rear Connect Plenum
LHI10_03	Top Connections	Rear Connect Plenum
LHI10_06	Front Connections	Rear Connect Plenum with alignment slots for tower mounting
LHI10B MKII	Front Connections	Integral Blower

PM Kits

There are two types of Preventive Maintenance kits available: Basic and Deluxe. The Basic PM kit contains a UV bulb, RF screen, and R500 reflector. This kit is for routine maintenance inspections. The Deluxe PM kit contains UV bulb, RF screen, R500 reflector, LHI10 magnetron pair, photodetector, and pressure switch. This kit is for a complete irradiator rebuild.

Table 2: Basic PM Kits

Description	Heraeus Part Number
PM Basic kit, contains 13 mm UV bulb (BT13H), QCS RF screen kit, and QCS R500 swept reflector kit with elastomer gaskets	80130865
PM Basic kit, contains 13 mm UV bulb (BT13D), QCS RF screen kit, and QCS R500 swept reflector kit with elastomer gaskets	80130866
PM Basic kit, contains 13 mm UV bulb (BT13H+), QCS RF screen kit, and QCS R500 swept reflector kit with elastomer gaskets	80130867
PM Basic kit, contains 13 mm UV bulb (BT13H), QCS RF screen kit, and QCS R500 non-swept reflector kit with elastomer gaskets	80130868
PM Basic kit, contains 13 mm UV bulb (BT13D), QCS RF screen kit, and QCS R500 non-swept reflector kit with elastomer gaskets	80130869

Table 3: Deluxe PM Kits

Description	Heraeus Part Number
LHI10 Deluxe PM kit, contains 13 mm UV bulb (BT13D), QCS RF screen kit, QCS R500 swept reflector kit with elastomer gaskets, LHI10 magnetron kit, photodetector, and pressure switch.	80132635
LHI10 Deluxe PM kit, contains 13 mm UV bulb (BT13H), QCS RF screen kit, QCS R500 non-swept reflector kit with elastomer gaskets, LHI10 magnetron kit, photodetector, and pressure switch.	80134396

LHI10-series Irradiator Parts Lists

Replacement Bulb Part Numbers

Bulb Type	Description	Heraeus Part Number
H bulb	Bulb, UV, BT13H, single bulb (standard)	558472
	Bulb Kit, 10", BT13H, 13 mm, 1 bulb *	558482
	Bulb Kit, 10", BT13H, 13 mm, 2 bulbs *	570242
	Bulb Kit, 10", BT13H, 13 mm, 3 bulbs *	570252
D bulb, 13 mm	Bulb, UV, BT13D, single bulb (optional)	558474
	Bulb Kit, 10", BT13D, 13 mm, 1 bulb *	558484
	Bulb Kit, 10", BT13D, 13 mm, 2 bulbs *	570244
	Bulb Kit, 10", BT13D, 13 mm, 3 bulbs *	570254
D bulb, 11 mm	Bulb, UV, BT11D, single bulb (optional)	558454
	Bulb Kit, 10", BT11D, 11 mm, 1 bulb *	558464
	Bulb Kit, 10", BT11D, 11 mm, 2 bulbs *	570224
	Bulb Kit, 10", BT11D, 11 mm, 3 bulbs *	570234
V bulb	Bulb, UV, BT13V, single bulb (optional)	558477
	Bulb Kit, 10", BT13V, 13 mm, 1 bulb *	558487
	Bulb Kit, 10", BT13V, 13 mm, 2 bulbs *	570247
	Bulb Kit, 10", BT13V, 13 mm, 3 bulbs *	570257
H+ bulb	Bulb, UV, BT13H+, single bulb (optional)	558471
	Bulb Kit, 10", BT13H+, 13 mm, 1 bulb *	558481
	Bulb Kit, 10", BT13H+, 13 mm, 2 bulbs *	570241
	Bulb Kit, 10", BT13H+, 13 mm, 3 bulbs *	570251
M bulb	Bulb, UV, BT13M, single bulb (optional)	558475
	Bulb Kit, 10", BT13M, 13 mm, 1 bulb *	558485
Lab Kit	Bulb Lab kit (contains one each of BT13H, BT13D, and BT13V) *	570352

* Bulb kits contain bulb(s), latex glove, alcohol swab, mounting screws for the RF screen, and instructions.

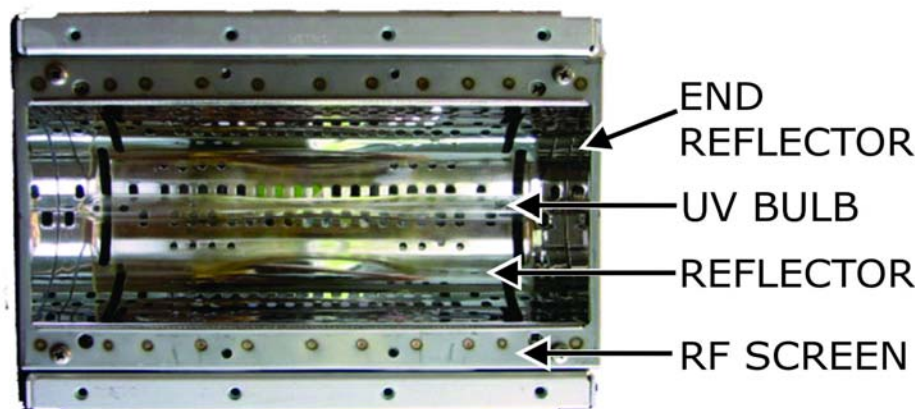


Figure 46: Irradiator Components, Bottom view

LHI10 Reflector Replacement Part Numbers

Reflector Type	Description	Heraeus Part Number
End	End Reflector Kit, R500 (1 pair) (standard) (includes elastomer gaskets)	80130626
	End Reflector Kit, R500 (1 pair), "209" hole location (includes elastomer gaskets)	80130627
R500	Reflector assembly kit, R500, swept (includes main QCS reflector, two end reflectors, and elastomer gasket) (see note)	80130714
	Reflector assembly kit, R500, non-swept (includes main QCS reflector, 2 end reflectors, and elastomer gasket) (see note)	80130715
R500/"209"	Reflector assembly kit, R500, swept, "209" (includes main QCS reflector, 2 "209" end reflectors, and elastomer gasket) (see note)	80130721
	Reflector assembly kit, R500, non-swept (includes main QCS reflector, 2 "209" end reflectors, and elastomer gasket) (see note)	80130722
Dichroic	Reflector assembly kit, Dichroic, non-swept (cold/R500) (includes dichroic main QCS reflector, 2 R500 end reflectors, and elastomer gaskets) (see note)	80130719
	Reflector assembly kit, Dichroic, swept (cold/R500) (includes dichroic main QCS reflector, 2 R500 end reflectors, and elastomer gaskets) (see note)	80130720
Dichroic Plus	Reflector assembly kit, Dichroic Plus, non-swept (cold/R500) (includes dichroic main QCS reflector, 2 R500 end reflectors, and elastomer gaskets) (see note)	80130725
	Reflector assembly kit, Dichroic Plus, swept (cold/R500) (includes dichroic main QCS reflector, 2 R500 end reflectors, and elastomer gaskets) (see note)	80130726
Dichroic Plus "209"	Reflector assembly kit, Dichroic Plus, non-swept "209" (includes dichroic main reflector, 2 "209" end reflectors, and elastomer gaskets), I600M	80130727
	Reflector assembly kit, Dichroic Plus, swept "209" (includes dichroic main reflector, 2 "209" end reflectors, and elastomer gaskets), I600M	80130728
Gaskets	RF gasket kit (contains pairs of reflector end and reflector elastomer gaskets)	80130191
Hardware	Kit, Reflector hardware (contains additional hardware for older-style screens)	80131353

NOTE: Reflector type is specified at the time of purchase. Swept reflectors are designed to direct ambient air flow away from the UV bulb and reflector. If you plan to replace a non-swept reflector with a swept reflector, you must verify that your cooling blower is adequately sized. Refer to the cooling requirements contained within the Product Manual. If your blower does not meet the cooling requirements for all connected lamp housings, you must increase the capacity of your cooling system. For assistance, consult Heraeus Noblelight Technical Services.

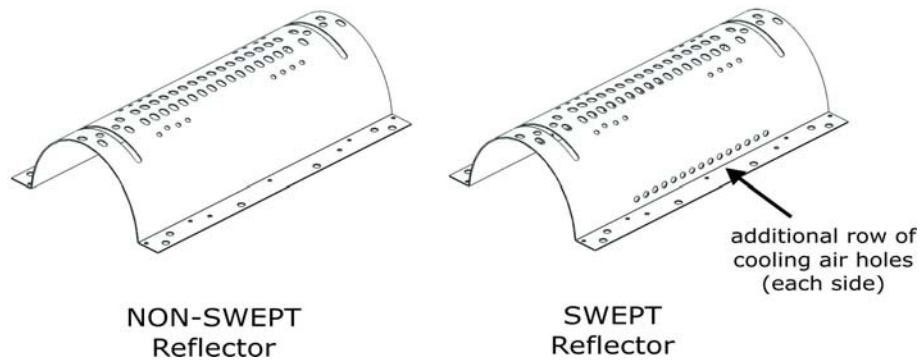


Figure 47: Non-Swept vs. Swept Reflectors

As shown in the Figure above, swept-type reflectors contain one additional row of cooling air holes per side. Swept reflectors help reduce fouling from contamination present in the curing zone under the lamp.

There is no need to use swept-type reflectors in quartz window or F10T/C10T applications since the reflector assembly is isolated from the curing zone. If swept reflectors are installed in these applications, blowers that provide additional pressure and flow are required.

LHI10 Screen Replacement Part Numbers

Description	Heraeus Part Number
RF Screen assembly replacement kit, Quick Change Screen, 10-inch systems	581742

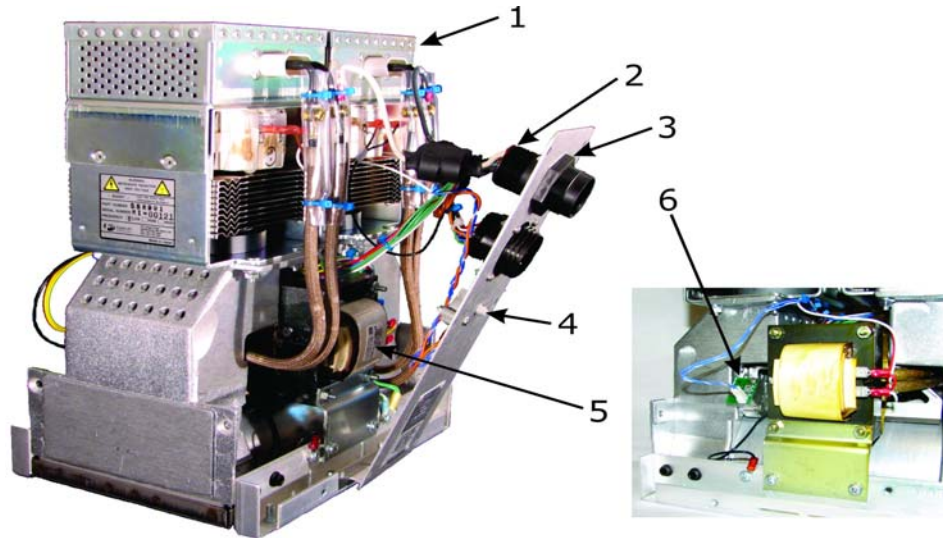


Figure 48: LHI 10 Irradiator Components

LHI10 Irradiator Replacement Part Numbers

Table 4: LHI 10 Series Irradiator Parts

Item #	Description	Reference Designator	Heraeus Part Number
1	Magnetron Kit, LHI10, pair	Mag A, Mag B	559001
2	Harness Assembly, LHI10, HV CTRL, with ferrites	J10/J11/J30	80121947
3	Hex nut, plastic, HV connector	J10	254101
4	Switch, Air Pressure	S201	26079
5	Transformer Kit, filament, 50/60 Hz	T201, T202	36505
6	Photodetector Assembly kit, direct view, LHI10-series only	A201	589392
Air Baffles / Air Flanges (not shown)	Air dam, irradiator, vented	--	276311
	Air Plenum/Flange Assembly, LHI10	--	213912
	Air Plenum/Flange Assembly, LHI10_01 only	--	573901
	Air Plenum/Flange Assembly, LHI10_2 and LHI10_3 only	--	270811
not shown	Handle, utility	--	30397

Optional Irradiator Connectors

Reference Designator	Description	Heraeus Part Number
J10/P10 Adapter	Adapter, HV Connector, J10/P10, right angle, 0°	509411
	Adapter, HV Connector, J10/P10, right angle, 90°	509412
	Adapter, HV Connector, J10/P10, right angle, 180°	not applicable
	Adapter, HV Connector, J10/P10, right angle, 270°	509414

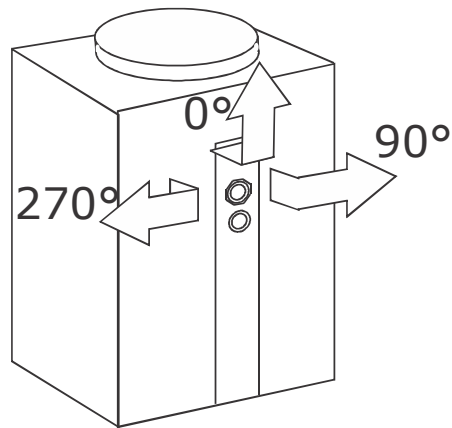


Figure 49: Right Angle Connectors-LHI 10

Mark II Blower Parts

Description	Heraeus Part Number
Filter set, polyester, high efficiency (set of 5)	290635
Handle, chassis, pocket pull	296254
Harness assembly, blower, LHI10B MKII	600091
Motor, blower, variable	602161

LHP10 Mark II Power Supply Parts



Figure 50: LHP10 Mark II Power Supply, front view



Figure 51: LHP10 Mark II Power Supply Connectors, rear view

Table 5: LHP10 Mark II Power Supply Spare Parts

Reference Designator	Description	Heraeus Part Number
	Bracket for tower mounting of power supply (includes hardware)	80115037
	Fan module assembly	602661
	Fan filter, snap fit	602691

LHP10 Mark II Adapter Cable Assembly Part Numbers

NOTE: If installing the LightHammer 10 Mark II UV Lamp System into an existing legacy installation, use the optional pigtail adapter to connect the J101 terminal block to the P101 connector used in the legacy system cabling.

There are two types of pigtail adapters: those that connect through the initial larger input power connector cover and those that connect to the raised input power connector cover.

Reference Designator	Description	Heraeus Part Number
J101 to P101	Cable Assembly, IEC309, 480V,30A, pigtail, 1 meter length (for use with large power input cover)	594071
J101 to P101	Cable Assembly, IEC309, 400V,32A, pigtail, 1 meter length (for use with large power input cover)	594073
J101 to P101	Cable Assembly, IEC309, 250V,30A, pigtail, 1 meter length (for use with large power input cover)	594074
J101 to P101	Cable Assembly, IEC309, 480V,30A, pigtail, 1 meter length (for use with raised power input cover)	80132918
J101 to P101	Cable Assembly, IEC309, 400V,32A, pigtail, 1 meter length (for use with raised power input cover)	80132920
J101 to P101	Cable Assembly, IEC309, 250V,30A, pigtail, 1 meter length (for use with raised power input cover)	80132919
P101	Connector, Inlet, female, IEC-309, 380-415V, 32A, 3 phase, 4-wire (3P+E), International rating (for legacy systems)	241974
P101	Connector, Inlet, female, IEC-309, 480V, 30A, 3 phase, 4-wire (3P+E), North American rating (for legacy systems)	241977
P101	Connector, Inlet, female, IEC-309, 250V, 30A, 3 phase, 4-wire (3P+E), North American rating (for legacy systems)	241979

Summary of LHP10 Mark II Connectors

Table 6: Summary of LHP10 Mark II Power Supply Connectors

Conn	Description	Master/Slave	DeviceNet	Profibus	EtherNet/IP
J101	AC input	Required	Required	Required	Required
J102	Master/Slave	Required	option	option	option
J103	HV/Control	Required	Required	Required	Required
J104	not used	not used	not used	not used	not used
J105	RF Detector	Required connection or plug	Required connection or plug	Required connection or plug	Required connection or plug
J106	Customer I/O	Required connection or plug	Required connection or plug	Required connection or plug	Required connection or plug
J107	E-Stop	jumper or connection	jumper or connection	jumper or connection	jumper or connection
J108	Blower	option	option	option	option
J111	Comm Bus	option	Required	Required	Required
AIMS Mark II	J102	Required	Required	Required	Required

Optional Communication Bus Accessories/Cables

The following optional cables and accessories are used when a communication module (DeviceNet, Profibus, or EtherNet/IP) is installed in the J111 port. Refer to ["Miscellaneous Parts"](#) for the Master/Slave cables.

Table 7: Optional J111 Communication Bus Cables

Type	Description	Heraeus Part Number
DeviceNet	DeviceNet Tee connector, micro (for thin media)	573381
	DeviceNet Terminator resistor, micro, female (for thin media), 121 Ω , 1%	573391
	DeviceNet Terminator resistor, micro, male (for thin media), 121 Ω , 1%	573392
	DeviceNet Cable, micro (for thin media), 1 meter length	573351
	DeviceNet Cable, micro (for thin media), 2 meter length	573352
	DeviceNet Cable, micro (for thin media), 5 meter length	573353
	DeviceNet Cable, micro (for thin media), 10 meter length	573354
EtherNet/IP	EtherNet Cable, CAT6, double shielded, 1 meter length	602561
	EtherNet Cable, CAT6, double shielded, 2 meter length	602562
	EtherNet Cable, CAT6, double shielded, 5 meter length	602563
	EtherNet Cable, CAT6, double shielded, 10 meter length	602564

Table 7: Optional J111 Communication Bus Cables (continued)

Type	Description	Heraeus Part Number
Profibus	Profibus Tee connector, M12	603141
	Profibus Terminator resistor, M12, female	602581
	Profibus Terminator resistor, M12, male	602582
	Profibus Cable, M12, shielded, M/F, 1 meter length	602571
	Profibus Cable, M12, shielded, M/F, 2 meter length	602572
	Profibus Cable, M12, shielded, M/F, 5 meter length	602573
	Profibus Cable, M12, shielded, M/F, 10 meter length	602574

Miscellaneous Parts

Reference Designator	Description	Heraeus Part Number
—	Connector assembly, RF Detector Plug (includes contacts) (for RF Slaves)	573591
P102	Cable Assy, Adapter, Master/Slave, 4-contact female, 1 meter length (for connection to J102 on rear panel of LHP6 Mark II)	598402
	DeviceNet Tee connector, 5-position, micro (for thin media) for use with Master/Slave and AIMS Mark II	573381
	DeviceNet Terminator resistor, micro, female (for thin media), 121 Ω , 1%, for use with Master/Slave and AIMS Mark II	573391
	DeviceNet Terminator resistor, micro, male (for thin media), 121 Ω , 1%, for use with Master/Slave and AIMS Mark II	573392
P106	Connector Assy, Customer I/O, LH MKII (includes contacts) (Interlock jumpers installed)	602591
—	Connector Collar repair kit, for HV connector	323841
RF-1	RF Detector Kit, Heraeus Noblelight	79961UV
—	Tool, contact removal	43031

Optional Accessories

Description	Heraeus Part Number
AIMS for LH Mark II	80115268
Reflector, external end, R500, 1 piece	43271
Quartz Plate, high grade, 6 in. x 6 in. x 0.062 in.	300302
Quartz Plate, high grade, 6 in. x 6 in. x 0.090 in.	300291

Interconnect Cables

Cable lengths not listed in the table below may be available on a custom basis. Contact Heraeus Noblelight America LLC for assistance.

Table 8: Interconnect Cables

FROM	TO	Description	LENGTH		Heraeus Part Number
			(M)	(Ft)	
LHP10 Mark II Power Supply	RF-1	RF-1 Cable Assembly	2	6.6	329281
			4	13	329282
			6	20	329283
			8	26	329284 - std
			11	36	329285
			14	46	329286
			17	56	329287
			21	69	329288
			26	85	329289
			31	102	329291
			38	125	329294
LHP10 Mark II Power Supply	LHI10 Irradiator	HV Cable Assembly	2	6.6	559631
			4	13	559632
			8	26	559633 - std
			11	36	559634
			14	46	559635
			17	56	559636
			21	69	559637
			26	85	559638
			31	102	559639
LHP10 Mark II Power Supply	LHI10B Irradiator with Mark II blower	HV Cable Assembly and blower cable	2	6.6	601511
			4	13	601512
			8	26	601514 - std
			11	36	601515
			14	46	601516
			17	56	601517
			21	69	601518
			26	85	601519
			31	102	601521

Numerical Listing of Replacement Parts

Table 9: Numerical Listing of Light Hammer 10 Mark II Parts

Description	Heraeus Part Number
Switch, Air Pressure, S201	26079
Handle, utility, irradiator	30397
Transformer Kit, filament, 50/60 Hz, T201/T202	36505
Air Plenum/Flange Assembly, LHI10	213912
Hex nut, plastic, HV connector	254101
Air Plenum/Flange Assembly, LHI10_02 and LHI10_03 only	270811
Air dam, irradiator, vented	276311
Filter set, polyester (set of 5)	290635
Handle, blower chassis, pocket pull	296254
Bulb, UV, BT11D, single bulb	558454
Bulb Kit, 10", BT11D, 11 mm, 1 bulb	558464
Bulb, UV, BT13H+, single bulb	558471
Bulb, UV, BT13H, single bulb (standard)	558472
Bulb, UV, BT13D, single bulb	558474
Bulb, UV, BT13M, single bulb	558475
Bulb, UV, BT13V, single bulb	558477
Bulb Kit, 10", BT13H+, 13 mm, 1 bulb	558481
Bulb Kit, 10", BT13H, 13 mm, 1 bulb	558482
Bulb Kit, 10", BT13D, 13 mm, 1 bulb	558484
Bulb Kit, 10", BT13M, 13 mm, 1 bulb	558485
Bulb Kit, 10", BT13V, 13 mm, 1 bulb	558487
Magnetron Kit, LHI10, pair	559001
Bulb Kit, 10", BT11D, 11 mm, 2 bulbs	570224
Bulb Kit, 10", BT11D, 11 mm, 3 bulbs	570234
Bulb Kit, 10", BT13H+, 13 mm, 2 bulbs	570241
Bulb Kit, 10", BT13H, 13 mm, 2 bulbs	570242
Bulb Kit, 10", BT13D, 13 mm, 2 bulbs	570244
Bulb Kit, 10", BT13V, 13 mm, 2 bulbs	570247
Bulb Kit, 10", BT13H+, 13 mm, 3 bulbs	570251
Bulb Kit, 10", BT13H, 13 mm, 3 bulbs	570252
Bulb Kit, 10", BT13D, 13 mm, 3 bulbs	570254
Bulb Kit, 10", BT13V, 13 mm, 3 bulbs	570257
Bulb Lab kit (contains one each of BT13H, BT13D, and BT13V) *	570352

Table 9: Numerical Listing of Light Hammer 10 Mark II Parts

Description	Heraeus Part Number
Air Plenum/Flange Assembly, LHI10_01 only	573901
RF Screen assembly replacement kit, QCS	581742
Photodetector Assembly kit, direct view	589392
Harness assembly, blower, LHI10B MKII	600091
Motor, blower, Mark II, variable	602161
Fan module assy, LHP10 Mark II	602661
Fan filter, snap fit, LHP10 Mark II	602691
Bracket for tower mounting of power supply (includes hardware)	80115037
Harness Assembly, LHI10, HV Ctrl with ferrites	80121947
RF gasket kit (contains pairs of reflector end and reflector elastomer gaskets)	80130191
End Reflector Kit, R500 (1 pair) (standard) (includes elastomer gaskets)	80130626
End Reflector Kit, R500 (1 pair), "209" hole location (includes elastomer gaskets)	80130627
Reflector assembly kit, R500, swept (includes main QCS reflector, two end reflectors, and elastomer gaskets) (standard)	80130714
Reflector assembly kit, R500, non-swept (includes main QCS reflector, 2 end reflectors, and elastomer gaskets)	80130715
Reflector assembly kit, Dichroic, non-swept (cold/R500) (includes dichroic main QCS reflector, 2 R500 end reflectors, and elastomer gaskets)	80130719
Reflector assembly kit, Dichroic, swept (cold/R500) (includes dichroic main QCS reflector, 2 R500 end reflectors, and elastomer gaskets)	80130720
Reflector assembly kit, R500, swept, "209" (includes main QCS reflector, 2 "209" end reflectors, and elastomer gaskets)	80130721
Reflector assembly kit, R500, non-swept (includes main QCS reflector, 2 "209" end reflectors, and elastomer gaskets)	80130722
Reflector assembly kit, Dichroic Plus, non-swept (cold/R500) (includes dichroic main QCS reflector, 2 R500 end reflectors, and elastomer gaskets)	80130725
Reflector assembly kit, Dichroic Plus, swept (cold/R500) (includes dichroic main QCS reflector, 2 R500 end reflectors, and elastomer gaskets)	80130726
Reflector assembly kit, Dichroic Plus, non-swept "209" (includes dichroic main reflector, 2 "209" end reflectors, and elastomer gaskets), I600M	80130727
Reflector assembly kit, Dichroic Plus, swept "209" (includes dichroic main reflector, 2 "209" end reflectors, and elastomer gaskets), I600M	80130728
PM Basic kit, contains 13 mm UV bulb (BT13H), QCS RF screen kit, and QCS R500 swept reflector kit with elastomer gaskets	80130865
PM Basic kit, contains 13 mm UV bulb (BT13D), QCS RF screen kit, and QCS R500 swept reflector kit with elastomer gaskets	80130866
PM Basic kit, contains 13 mm UV bulb (BT13H+), QCS RF screen kit, and QCS R500 swept reflector kit with elastomer gaskets	80130867
PM Basic kit, contains 13 mm UV bulb (BT13H), QCS RF screen kit, and QCS R500 non-swept reflector kit with elastomer gaskets	80130868
PM Basic kit, contains 13 mm UV bulb (BT13D), QCS RF screen kit, and QCS R500 non-swept reflector kit with elastomer gaskets	80130869

Table 9: Numerical Listing of Light Hammer 10 Mark II Parts

Description	Heraeus Part Number
Kit, Reflector hardware (contains additional hardware for older-style screens)	80131353
LHI10 Deluxe PM kit, contains 13 mm UV bulb (BT13D), QCS RF screen kit, QCS R500 swept reflector kit with elastomer gaskets, LHI10 magnetron kit, photodetector, and pressure switch.	80132635
LHI10 Deluxe PM kit, contains 13 mm UV bulb (BT13H), QCS RF screen kit, QCS R500 non-swept reflector kit with elastomer gaskets, LHI10 magnetron kit, photodetector, and pressure switch.	80134396

Heraeus Noblelight America LLC

910 Clopper Road
Gaithersburg, MD 20878-1357 USA
www.heraeus-noblelight.com/fusionuv

Phone: +1 301-527-2660
Fax: (Technical Service) +1 301-527-2663
Fax: (Sales) +1 301-527-2661
email: info.hna.uvp@heraeus.com

Heraeus Noblelight GmbH

Heraeusstraße 12-14
63450 Hanau, Germany

Phone: +49 6181 35 4966
Fax: +49 6181 35 9926
email: hng-uv@heraeus.com

Heraeus K.K.

Noblelight Division
Sumitomo Fudosan Otowa
Bldg. 1F, 2F, 5F
2-9-3 Otsuka, Bunkyo-ku,
112-0012, Tokyo Japan

Phone: +81 3 6902 6602
Fax: +81 3 6902 6613
email: info.hkk@heraeus.com

Heraeus Noblelight (Shenyang) Ltd.

Shanghai Branch
2F, Building 5, No. 406 Guilin Road
Xuhui District
Shanghai 200233, P.R. China

Phone: +86 (21) 3357 5555
Fax: +86 (21) 3357 5333
email: info.hns@heraeus.com