



LightHammer LH10 UV Lamp System Parts Listing

Document No. 588651 Revision S, dated May 2016

© Copyright 2011-2016 Heraeus Noblelight America LLC
All Rights Reserved.

Heraeus Noblelight America LLC
910 Clopper Road
Gaithersburg, MD 20878-1357 USA
301-527-2660 • FAX 301-527-2661

Heraeus Noblelight America LLC reserves the right to make changes without prior announcement.

LH10 REPLACEMENT PARTS

This document replaces any parts listings that may be contained within the LH10 Installation, Operation, and Maintenance Manual.

Contained within this document are the part numbers for your genuine Heraeus UV parts. Heraeus Noblelight America LLC (formerly Fusion UV Systems) received full ISO certification in 1993 and we maintain that certification today to the ISO 9001:2008 standard, which underscores our commitment to providing the highest quality components, systems, support, training, process development, and after sales service.

For the most current Replacement Parts Listing for the LightHammer LH10 UV Lamp System Lightshield System, please visit:

<http://www.heraeus-noblelight.com/spareparts>

On-Line Store

Customers can now place parts orders online*. Our Web Store provides a new level of efficiency and convenience and features:

- 24/7 access
- fully secure website
- pictorial catalog of parts
- ability to review open or closed parts orders, invoices, and returns
- ability to track your parts shipments
- A discount is given for ALL parts ordered online

If you are not yet registered for the Web Store but would like to do so, please contact Sales Support on 1-301-990-8600 or salesupport.hna.uvp@heraeus.com.

* Only customers who place orders directly with Heraeus Noblelight America LLC may register for the online store. If you currently order parts through a local Heraeus Noblelight distributor, please contact them directly for all parts orders.

Customer Support

The following groups within Heraeus Noblelight America LLC are available to provide customer support.

Sales Support

The Sales Support group is responsible for the processing of domestic and international quotation requests as well as the purchase orders of spare parts, systems, and online orders.

Contact Sales Support at salesupport.hna.uvp@heraeus.com.

Technical Service

The Technical Service group is responsible for worldwide after sales support including repair services whether returned to a Heraeus Noblelight Service Center or at the customer site. This group also provides new equipment commissioning, maintenance and operator training, telephone/email/fax support, maintenance programs such as multi-level service contracts, and certified rebuilt equipment. Our service staff averages nearly 16 years of hands-on experience with Fusion UV equipment!

Contact Technical Services at techservice.hna.uvp@heraeus.com.

Applications Engineering

The Applications Engineering group concentrates on the optimization of a customer's UV process or proposed process and in assisting customers with troubleshooting of their UV curing process. Their expertise includes system selection and configuration; determination of system size, lamp type, and optics; machine design concepts, integration; and air handling systems and measurement (radiometry and thermometry).

This group oversees and operates the Applications Lab in which processes can be developed, demonstrated, or refined using any of a wide range of UV exposure equipment available, including all lamp and bulb types.

Contact Applications Engineering at info.hna.uvp@heraeus.com.

Irradiator Models



LHI10 Irradiator

The various irradiator models manufactured by Heraeus Noblelight are listed below.

Table 1: Irradiator Models

Irradiator Model	Connectors	Air Delivery
LHI10	Front Connections	Top Connect Plenum
LHI10_01	Top Connections	Top Connect Plenum
LHI10_02	Front Connections	Rear Connect Plenum
LHI10_03	Top Connections	Rear Connect Plenum
LHI10_06	Front Connections	Rear Connect Plenum with alignment slots for tower mounting

PM Kits

There are two types of Preventive Maintenance kits available: Basic and Deluxe. The Basic PM kit contains a UV bulb, RF screen, and R500 reflector. This kit is for routine maintenance inspections. The Deluxe PM kit contains UV bulb, RF screen, R500 reflector, LHI10 magnetron pair, photodetector, and pressure switch. This kit is for a complete irradiator rebuild.

Table 2: Basic PM Kits

Description	Heraeus Part Number
PM Basic kit, contains 13 mm UV bulb (BT13H), QCS RF screen kit, and QCS R500 swept reflector kit with elastomer gaskets	80130865
PM Basic kit, contains 13 mm UV bulb (BT13D), QCS RF screen kit, and QCS R500 swept reflector kit with elastomer gaskets	80130866
PM Basic kit, contains 13 mm UV bulb (BT13H+), QCS RF screen kit, and QCS R500 swept reflector kit with elastomer gaskets	80130867
PM Basic kit, contains 13 mm UV bulb (BT13H), QCS RF screen kit, and QCS R500 non-swept reflector kit with elastomer gaskets	80130868
PM Basic kit, contains 13 mm UV bulb (BT13D), QCS RF screen kit, and QCS R500 non-swept reflector kit with elastomer gaskets	80130869

Table 3: Deluxe PM Kits

Description	Heraeus Part Number
LHI10 Deluxe PM kit, contains 13 mm UV bulb (BT13D), QCS RF screen kit, QCS R500 swept reflector kit with elastomer gaskets, LHI10 magnetron kit, photodetector, and pressure switch.	80132635
LHI10 Deluxe PM kit, contains 13 mm UV bulb (BT13H), QCS RF screen kit, QCS R500 non-swept reflector kit with elastomer gaskets, LHI10 magnetron kit, photodetector, and pressure switch.	80134396

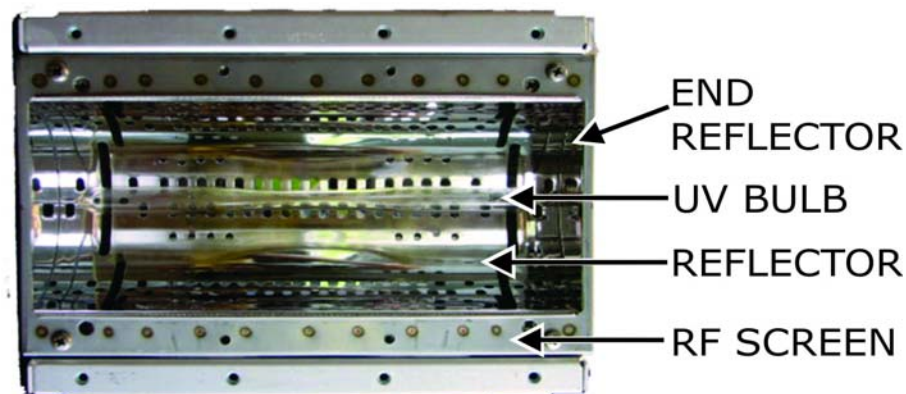
LHI10-series Irradiator Parts Lists

Replacement Bulb Part Numbers

Table 4: Bulb Part Numbers

Bulb Type	Description	Heraeus Part Number
H bulb	Bulb, UV, BT13H, single bulb (standard)	558472
	Bulb Kit, 10", BT13H, 13 mm, 1 bulb *	558482
	Bulb Kit, 10", BT13H, 13 mm, 2 bulbs *	570242
	Bulb Kit, 10", BT13H, 13 mm, 3 bulbs *	570252
D bulb, 13 mm	Bulb, UV, BT13D, single bulb (optional)	558474
	Bulb Kit, 10", BT13D, 13 mm, 1 bulb *	558484
	Bulb Kit, 10", BT13D, 13 mm, 2 bulbs *	570244
	Bulb Kit, 10", BT13D, 13 mm, 3 bulbs *	570254
D bulb, 11 mm	Bulb, UV, BT11D, single bulb (optional)	558454
	Bulb Kit, 10", BT11D, 11 mm, 1 bulb *	558464
	Bulb Kit, 10", BT11D, 11 mm, 2 bulbs *	570224
	Bulb Kit, 10", BT11D, 11 mm, 3 bulbs *	570234
V bulb	Bulb, UV, BT13V, single bulb (optional)	558477
	Bulb Kit, 10", BT13V, 13 mm, 1 bulb *	558487
	Bulb Kit, 10", BT13V, 13 mm, 2 bulbs *	570247
	Bulb Kit, 10", BT13V, 13 mm, 3 bulbs *	570257
H+ bulb	Bulb, UV, BT13H+, single bulb (optional)	558471
	Bulb Kit, 10", BT13H+, 13 mm, 1 bulb *	558481
	Bulb Kit, 10", BT13H+, 13 mm, 2 bulbs *	570241
	Bulb Kit, 10", BT13H+, 13 mm, 3 bulbs *	570251
M bulb	Bulb, UV, BT13M, single bulb (optional)	558475
	Bulb Kit, 10", BT13M, 13 mm, 1 bulb *	558485
Lab Kit	Bulb Lab kit (contains one each of BT13H, BT13D, and BT13V) *	570352

* Bulb kits contain bulb(s), latex glove, alcohol swab, mounting screws for the RF screen, and instructions.



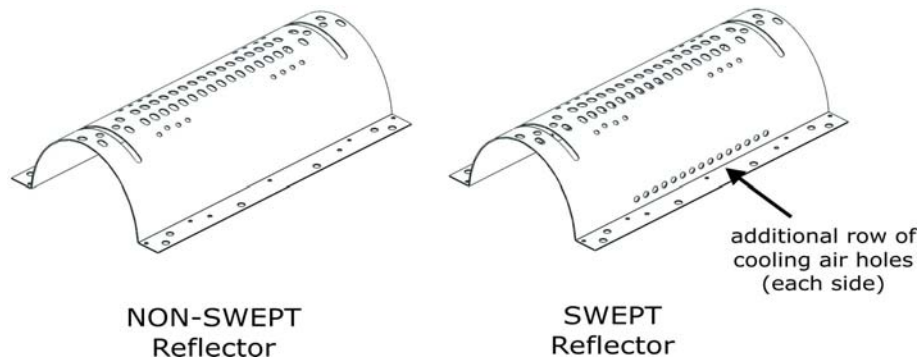
Irradiator Components, Bottom view

LHI10 Reflector Replacement Part Numbers

Table 5: LHI 10 Series QCS Reflector Part Numbers

Reflector Type	Description	Heraeus Part Number
End	End Reflector Kit, R500 (1 pair) (standard) (includes elastomer gaskets)	80130626
	End Reflector Kit, R500 (1 pair), "209" hole location (includes elastomer gaskets)	80130627
R500	Reflector assembly kit, R500, swept (includes main QCS reflector, two end reflectors, and elastomer gaskets) (see note)	80130714
	Reflector assembly kit, R500, non-swept (includes main QCS reflector, 2 end reflectors, and elastomer gaskets) (see note)	80130715
R500/"209"	Reflector assembly kit, R500, swept, "209" (includes main QCS reflector, 2 "209" end reflectors, and elastomer gaskets) (see note)	80130721
	Reflector assembly kit, R500, non-swept (includes main QCS reflector, 2 "209" end reflectors, and elastomer gaskets) (see note)	80130722
Dichroic	Reflector assembly kit, Dichroic, non-swept (cold/R500) (includes dichroic main QCS reflector, 2 R500 end reflectors, and elastomer gaskets) (see note)	80130719
	Reflector assembly kit, Dichroic, swept (cold/R500) (includes dichroic main QCS reflector, 2 R500 end reflectors, and elastomer gaskets) (see note)	80130720
Dichroic Plus	Reflector assembly kit, Dichroic Plus, non-swept (cold/R500) (includes dichroic main QCS reflector, 2 R500 end reflectors, and elastomer gaskets) (see note)	80130725
	Reflector assembly kit, Dichroic Plus, swept (cold/R500) (includes dichroic main QCS reflector, 2 R500 end reflectors, and elastomer gaskets) (see note)	80120726
Dichroic Plus "209"	Reflector assembly kit, Dichroic Plus, non-swept "209" (includes dichroic main reflector, 2 "209" end reflectors, and elastomer gaskets), I600M	80130727
	Reflector assembly kit, Dichroic Plus, swept "209" (includes dichroic main reflector, 2 "209" end reflectors, and elastomer gaskets), I600M	80130728
Gaskets	RF gasket kit (contains pairs of reflector end and reflector elastomer gaskets)	80130191
Hardware	Kit, Reflector hardware (contains additional hardware for older-style screens)	80131353

NOTE: Reflector type is specified at the time of purchase. Swept reflectors are designed to direct ambient air flow away from the UV bulb and reflector. If you plan to replace a non-swept reflector with a swept reflector, you must verify that your cooling blower is adequately sized. Refer to the cooling requirements contained within the Product Manual. If your blower does not meet the cooling requirements for all connected lamp housings, you must increase the capacity of your cooling system. For assistance, consult Heraeus Noblelight Technical Service.



Non-Swept vs. Swept Reflectors

As shown in the Figure above, swept-type reflectors contain one additional row of cooling air holes per side. Swept reflectors help reduce fouling from contamination present in the curing zone under the lamp.

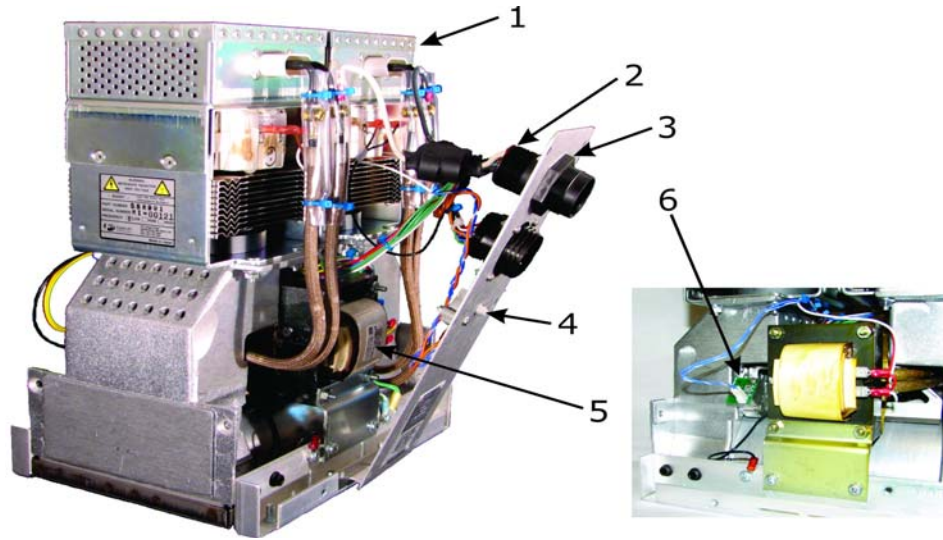
There is no need to use swept-type reflectors in quartz window or F10T/C10T applications since the reflector assembly is isolated from the curing zone. If swept reflectors are installed in these applications, blowers that provide additional pressure and flow are required.

LHI10 Screen Replacement Part Numbers

Table 6: LHI 10 Series RF Screen Part Numbers

Description	Heraeus Part Number
RF Screen assembly replacement kit, Quick Change Screen, 10-inch systems	581742

NOTE: The Quick Change Screen (QCS) and the associated reflector are factory installed on irradiators manufactured after May 2011. The new QCS screen will fit on existing reflectors; however, the screws will need to be replaced with the non-captive M3 screws provided in the replacement kit. The screen mounting holes on the new Reflectors have changed to allow use of the new QCS and the captive screws. The previous style screen (non-captive screws) will not fit on the new reflector.



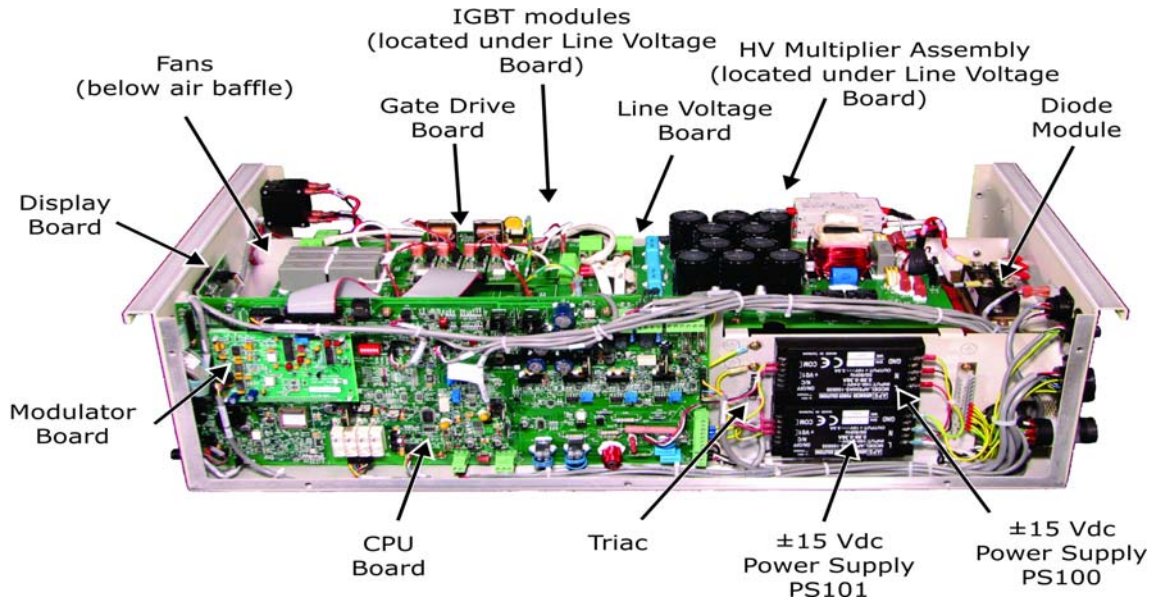
LHI 10 Irradiator Components

LHI10 Irradiator Replacement Part Numbers

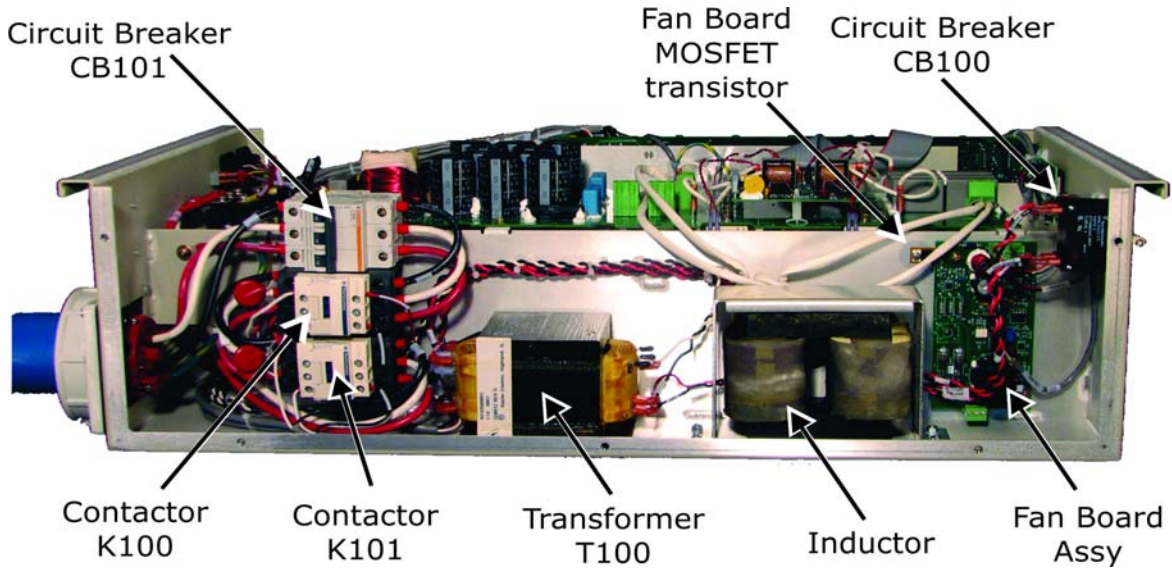
Table 7: LHI 10 Series Irradiator Parts

Item #	Description	Reference Designator	Heraeus Part Number
1	Magnetron Kit, LHI10, pair	Mag A, Mag B	559001
2	Harness Assembly, LHI10, HV CTRL, with ferrites	J10/J11/J30	80121947
3	Hex nut, plastic, HV connector	J10	254101
4	Switch, Air Pressure	S201	26079
5	Transformer Kit, filament, 50/60 Hz	T201, T202	36505
6	Photodetector Assembly kit, direct view, LHI10-series only	A201	589392
Air Baffles / Air Flanges (not shown)	Air dam, irradiator, vented	--	276311
	Air Plenum/Flange Assembly, LHI10	--	213912
	Air Plenum/Flange Assembly, LHI10_01 only	--	573901
	Air Plenum/Flange Assembly, LHI10_2 and LHI10_3 only	--	270811
not shown	Handle, utility	--	30397

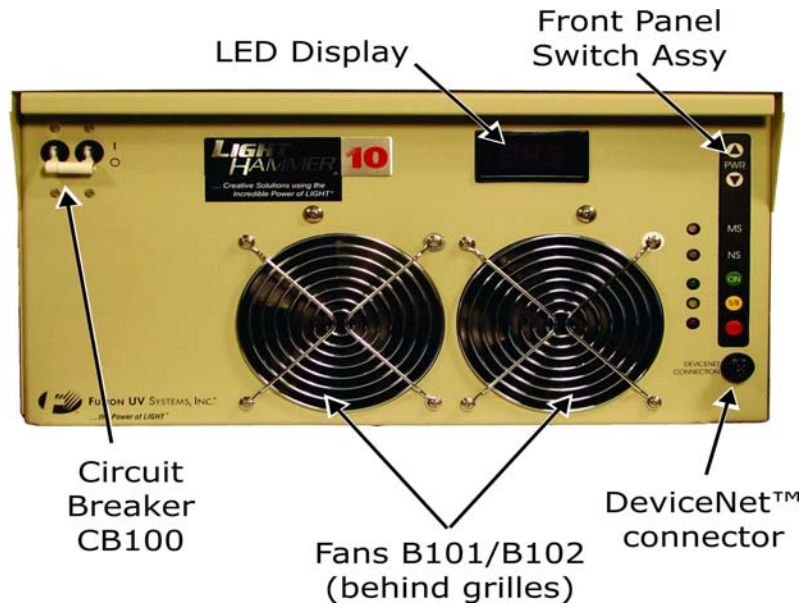
LHP10 Power Supply Parts



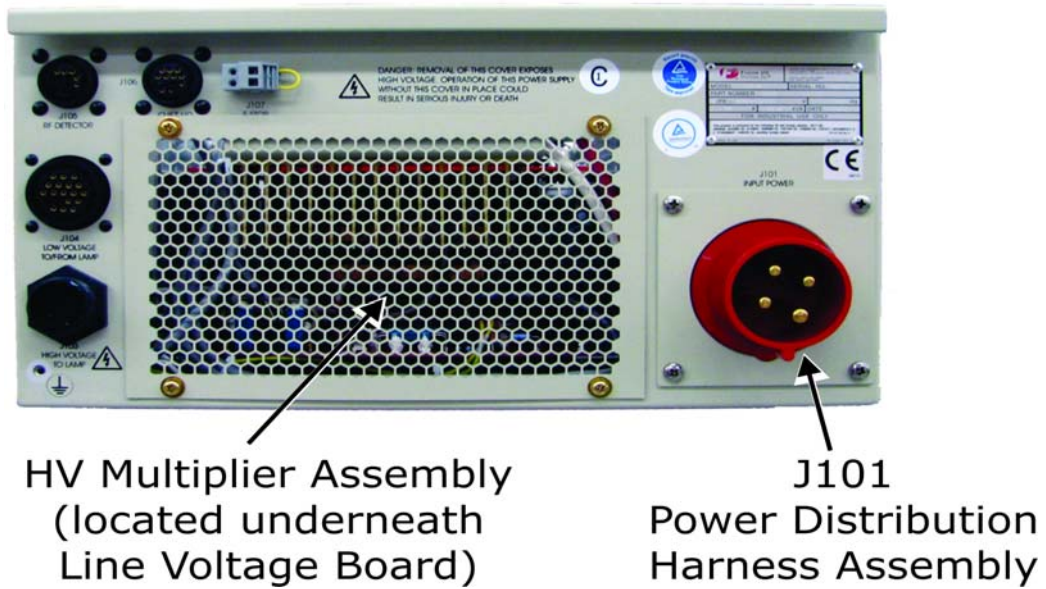
LHP10 Power Supply Components (Right side)



LHP10 Power Supply Components (Left side)



LHP10 Power Supply Components (Front)



LHP10 Power Supply Components (Back)

Table 8: LHP10 Power Supply Spare Parts

Reference Designator	Description	Heraeus Part Number
not shown	Air dam kit (for use with older HV multiplier assemblies)	577821
CB100	Circuit Breaker, 2-pole, 5A (LV version 200-240V)	555286
CB100	Circuit Breaker, 2-pole, 2A (HV version 380-480V)	555284
CB101	Circuit Breaker, 3-pole, 40A, 480V	302411
K100, K101	Contactora, 4-pole, 32A, 24 VAC, 50/60 Hz	292234
T100	Control transformer (LV version 200-240V)	558912
T100	Control transformer (HV version 380-480V)	558911
	CPU PWB assembly kit (with power amp board)	588852
DB100	Diode module, 110A, 1600 V, 3 phase	559081
	Display PWB assembly kit	581921
	Fan PWB assembly kit	576812
	Front panel switch assembly	573092
F1, F2	Fuse, CPU board, 3.15A, 250V	341196
F3	Fuse, CPU board, 3A, 250V, fast acting	554951
F4	Fuse, CPU board, 2A, 250V, Slo	341194
F1, F2	Fuse, Fan control board, 5A, 250V, Slo	341198
	Gate drive PWB assembly kit (LV version 200-240V)	576908
	Gate drive PWB assembly kit (HV version 380-480V)	576907
	HV multiplier assembly kit (includes air dam)	603891
not shown	IGBT, 600V, 150A (LV version 200-240V)	588571
not shown	IGBT, 1200V, 100A (HV version 380-480V)	588572
	Line Voltage Board kit (LV version 200-208V)	598712
	Line Voltage Board kit (LV version 220-240V)	598713
	Line Voltage Board kit (HV version 380-480V)	598711
	Modulator Board kit	576841
not shown	MOSFET Transistor, Fan Supply	297441
B101/B102	Muffin fan kit, 24V	577521
not shown	Power Amplifier Board kit (located behind CPU board)	577491
PS100, PS101	Power Supply, $\pm 15V_{dc}$, 3.5A, 90-264 VAC	559171
not shown	Temperature sensor PWB assembly (located on IGBT heatsink)	559411
not shown	TRIAC, 800V	96684

LHP10 Cable, Harness, and Wires Assembly Part Numbers

Table 9: LHP10 Cable, Harness, and Wire Assemblies

Reference Designator	Description	Heraeus Part Number
	Contactorm harness, K100-K101	555772
	HV harness	558881
J101	Power distribution harness assembly, 3-phase (200-240V)	559213
J101	Power distribution harness assembly, 3-phase (380-415V)	559212
J101	Power distribution harness assembly, 3-phase (440-480V)	559211

Miscellaneous Parts

Table 10: Miscellaneous Parts

Reference Designator	Description	Heraeus Part Number
RF-1	RF Detector Kit, Heraeus Noblelight	79961UV
	DeviceNet Tee, micro (for thin media)	573381
	Terminator resistor, micro, female (for thin media), 121 Ω , 1%	573391
	Terminator resistor, micro, male (for thin media), 121 Ω , 1%	573392

Optional Accessories

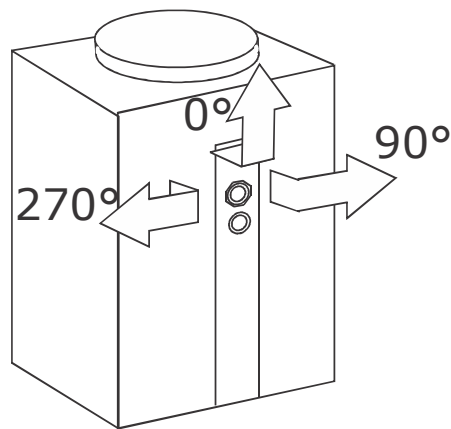
Table 11: Optional Accessories

Description	Heraeus Part Number
Reflector, external end, R500, 1 piece	43271
Quartz Plate, high grade, 6 in. x 10 in. x 0.090 in.	300292
Quartz Plate, high grade, 6 in. x 12 in. x 0.090 in.	300293

Connectors

Table 12: Connectors

Reference Designator	Description	Heraeus Part Number
P101	Connector, Inlet, female, IEC-309, 200-240V, 3 phase	574711
P101	Connector, Inlet, female, IEC-309, 380-415V, 3 phase	241974
P101	Connector, Inlet, female, IEC-309, 480V, 3 phase	241977
P105	Connector Assy, RF Detector Plug (includes contacts) (for RF Slaves)	573591
P106	Connector Assy, 14 ckt, Customer Connections (includes contacts)	592191
P106	Housing, strain relief (included with P106 connector assembly)	25811
J10/P10 Adapter	Adapter, HV Connector, J10/P10, right angle, 0°	509411
	Adapter, HV Connector, J10/P10, right angle, 90°	509412
	Adapter, HV Connector, J10/P10, right angle, 180°	not applicable
	Adapter, HV Connector, J10/P10, right angle, 270°	509414
—	HV Connector Collar repair kit	323841
—	Tool, contact removal	43031



Right Angle Connectors-LHI 10

Interconnect Cables

Cable lengths not listed in the table below may be available on a custom basis. Contact Heraeus Noblelight America LLC for assistance.

Table 13: Interconnect Cables

FROM	TO	Description	LENGTH		Heraeus Part Number
			(M)	(Ft)	
LHP10 Power Supply	RF-1	RF-1 Cable Assembly	2	6.6	329281
			4	13	329282
			6	20	329283
			8	26	329284 - std
			11	36	329285
			14	46	329286
			17	56	329287
			21	69	329288
			26	85	329289
			31	102	329291
LHP10 Power Supply	LHI10 Irradiator	HV Cable Assembly	2	6.6	559631
			4	13	559632
			8	26	559633 - std
			11	36	559634
			14	46	559635
			17	56	559636
			21	69	559637
			26	85	559638
LHP10 Power Supply or trunk	LHP10 Power Supply	Drop Cable	1	3	573351
			2	6.6	573352
			5	16	573353
Controller	LHP10 Power Supply	DeviceNet Thin Trunk Cable with micro connectors	1	3	573351
			2	6.6	573352
			5	16	573353
			10	33	573354

Numerical Listing of Replacement Parts

Table 14: Numerical Listing of LH10 Parts

Description	Heraeus Part Number
Switch, Air Pressure, S201	26079
Handle, utility	30397
Transformer Kit, filament, 50/60 Hz, T201/T202	36505
TRIAC, 800V	96684
Air Plenum/Flange Assembly, LHI10	213912
Hex nut, plastic, HV connector	254101
Air Plenum/Flange Assembly, LHI10_02 and LHI10_03 only	270811
Air dam	276311
Contactora, 4-pole, 32A, 24 VAC, 50/60 Hz	292234
MOSFET Transistor, Fan Supply	297441
Circuit Breaker, 3-pole, 40A, 480V	302411
Fuse, CPU board, 2A, 250V, Slo	341194
Fuse, CPU board, 3.15A, 250V	341196
Fuse, Fan control board, 5A, 250V, Slo	341198
Fuse, CPU board, 3A, 250V, fast acting	554951
Circuit Breaker, 2-pole, 2A (HV version 380-480V)	555284
Circuit Breaker, 2-pole, 5A (LV version 200-240V)	555286
Bulb, UV, BT11D, single bulb	558454
Bulb Kit, 10", BT11D, 11 mm, 1 bulb	558464
Bulb, UV, BT13H+, single bulb	558471
Bulb, UV, BT13H, single bulb (standard)	558472
Bulb, UV, BT13D, single bulb	558474
Bulb, UV, BT13M, single bulb	558475
Bulb, UV, BT13V, single bulb	558477
Bulb Kit, 10", BT13H+, 13 mm, 1 bulb	558481
Bulb Kit, 10", BT13H, 13 mm, 1 bulb	558482
Bulb Kit, 10", BT13D, 13 mm, 1 bulb	558484
Bulb Kit, 10", BT13M, 13 mm, 1 bulb	558485
Bulb Kit, 10", BT13V, 13 mm, 1 bulb	558487
Control transformer (HV version 380-480V)	558911
Control transformer (LV version 200-240V)	558912
Magnetron Kit, LHI10, pair	559001
Diode module, 110A, 1600 V, 3 phase	559081

Table 14: Numerical Listing of LH10 Parts *(continued)*

Description	Heraeus Part Number
Power Supply, $\pm 15\text{Vdc}$, 3.5A, 90-264 VAC	559171
Temperature sensor PWB assembly (located on IGBT heatsink)	559411
Bulb Kit, 10", BT11D, 11 mm, 2 bulbs	570224
Bulb Kit, 10", BT11D, 11 mm, 3 bulbs	570234
Bulb Kit, 10", BT13H+, 13 mm, 2 bulbs	570241
Bulb Kit, 10", BT13H, 13 mm, 2 bulbs	570242
Bulb Kit, 10", BT13D, 13 mm, 2 bulbs	570244
Bulb Kit, 10", BT13V, 13 mm, 2 bulbs	570247
Bulb Kit, 10", BT13H+, 13 mm, 3 bulbs	570251
Bulb Kit, 10", BT13H, 13 mm, 3 bulbs	570252
Bulb Kit, 10", BT13D, 13 mm, 3 bulbs	570254
Bulb Kit, 10", BT13V, 13 mm, 3 bulbs	570257
Bulb Lab kit (contains one each of BT13H, BT13D, and BT13V) *	570352
Front panel switch assembly	573092
Air Plenum/Flange Assembly, LHI10_01 only	573901
Fan PWB assembly kit	576812
Modulator Board kit	576841
Gate drive PWB assembly kit (HV version 380-480V)	576907
Gate drive PWB assembly kit (LV version 200-240V)	576908
Power Amplifier Board kit (located behind CPU board)	577491
Muffin fan kit, 24V	577521
Air dam kit (for use with older 'red board' HV multiplier assemblies)	577821
RF Screen assembly replacement kit, QCS	581742
Display PWB assembly kit	581921
IGBT, 600V, 150A (LV version 200-240V)	588571
IGBT, 1200V, 100A (HV version 380-480V)	588572
CPU PWB assembly kit (with power amp board)	588852
Photodetector Assembly kit, direct view	589392
Line Voltage Board kit (HV version 380-480V)	598711
Line Voltage Board kit (LV version 200-208V)	598712
Line Voltage Board kit (LV version 220-240V)	598713
HV multiplier assembly kit (includes air dam)	603891
Harness Assembly, LHI10, HV Ctrl with ferrites	80121947
RF gasket kit (contains pairs of reflector end and reflector elastomer gaskets)	80130191
End Reflector Kit, R500 (1 pair) (standard) (includes elastomer gaskets)	80130626
End Reflector Kit, R500 (1 pair), "209" hole location (includes elastomer gaskets)	80130627

Table 14: Numerical Listing of LH10 Parts *(continued)*

Description	Heraeus Part Number
Reflector assembly kit, R500, swept (includes main QCS reflector, two end reflectors, and elastomer gaskets) (standard)	80130714
Reflector assembly kit, R500, non-swept (includes main QCS reflector, 2 end reflectors, and elastomer gaskets)	80130715
Reflector assembly kit, Dichroic, non-swept (cold/R500) (includes dichroic main QCS reflector, 2 R500 end reflectors, and elastomer gaskets)	80130719
Reflector assembly kit, Dichroic, swept (cold/R500) (includes dichroic main QCS reflector, 2 R500 end reflectors, and elastomer gaskets)	80130720
Reflector assembly kit, R500, swept, "209" (includes main QCS reflector, 2 "209" end reflectors, and elastomer gaskets)	80130721
Reflector assembly kit, R500, non-swept (includes main QCS reflector, 2 "209" end reflectors, and elastomer gaskets)	80130722
Reflector assembly kit, Dichroic Plus, non-swept (cold/R500) (includes dichroic main QCS reflector, 2 R500 end reflectors, and elastomer gaskets)	80130725
Reflector assembly kit, Dichroic Plus, swept (cold/R500) (includes dichroic main QCS reflector, 2 R500 end reflectors, and elastomer gaskets)	80130726
Reflector assembly kit, Dichroic Plus, non-swept "209" (includes dichroic main reflector, 2 "209" end reflectors, and elastomer gaskets), I600M	80130727
Reflector assembly kit, Dichroic Plus, swept "209" (includes dichroic main reflector, 2 "209" end reflectors, and elastomer gaskets), I600M	80130728
PM Basic kit, contains 13 mm UV bulb (BT13H), QCS RF screen kit, and QCS R500 swept reflector kit with elastomer gaskets	80130865
PM Basic kit, contains 13 mm UV bulb (BT13D), QCS RF screen kit, and QCS R500 swept reflector kit with elastomer gaskets	80130866
PM Basic kit, contains 13 mm UV bulb (BT13H+), QCS RF screen kit, and QCS R500 swept reflector kit with elastomer gaskets	80130867
PM Basic kit, contains 13 mm UV bulb (BT13H), QCS RF screen kit, and QCS R500 non-swept reflector kit with elastomer gaskets	80130868
PM Basic kit, contains 13 mm UV bulb (BT13D), QCS RF screen kit, and QCS R500 non-swept reflector kit with elastomer gaskets	80130869
LHI10 Deluxe PM kit, contains 13 mm UV bulb (BT13D), QCS RF screen kit, QCS R500 swept reflector kit with elastomer gaskets, LHI10 magnetron kit, photodetector, and pressure switch	80132635
LHI10 Deluxe PM kit, contains 13 mm UV bulb (BT13H), QCS RF screen kit, QCS R500 non-swept reflector kit with elastomer gaskets, LHI10 magnetron kit, photodetector, and pressure switch.	80134396



Heraeus Noblelight America LLC

910 Clopper Road
Gaithersburg, MD 20878-1357 USA
www.heraeus-noblelight.com/fusionuv

Phone: +1 301-527-2660
Fax: (Technical Service) +1 301-527-2663
Fax: (Sales) +1 301-527-2661
email: info.hna.uvp@heraeus.com

Heraeus Noblelight GmbH

Heraeusstraße 12-14
63450 Hanau, Germany

Phone: +49 6181 35 4966
Fax: +49 6181 35 9926
email: hng-uv@heraeus.com

Heraeus K.K.

Noblelight Division
Sumitomo Fudosan Otowa
Bldg. 1F, 2F, 5F
2-9-3 Otsuka, Bunkyo-ku,
112-0012, Tokyo Japan

Phone: +81 3 6902 6602
Fax: +81 3 6902 6613
email: info.hkk@heraeus.com

Heraeus Noblelight (Shenyang) Ltd.

Shanghai Branch
2F, Building 5, No. 406 Guilin Road
Xuhui District
Shanghai 200233, P.R. China

Phone: +86 (21) 3357 5555
Fax: +86 (21) 3357 5333
email: info.hns@heraeus.com