



## Light Hammer 6 Mark II UV Lamp System Parts Listing

Document No. 604281 Revision B, dated May 2016

© Copyright 2016 Heraeus Noblelight America LLC  
All Rights Reserved.

Heraeus Noblelight America LLC  
910 Clopper Road  
Gaithersburg, MD 20878-1357 USA  
301-527-2660 • FAX 301-527-2661

Heraeus Noblelight America LLC reserves the right to make changes without prior announcement.

## REPLACEMENT PARTS

Contained within this document are the part numbers for your genuine Heraeus UV parts. Heraeus Noblelight America LLC (formerly Fusion UV Systems) received full ISO certification in 1993 and we maintain that certification today to the ISO 9001:2008 standard, which underscores our commitment to providing the highest quality components, systems, support, training, process development, and after sales service.

For the most current Replacement Parts Listing for the Light Hammer 6 Mark II system, please visit:

<http://www.heraeus-noblelight.com/spareparts>

### On-Line Store

Customers can now place parts orders online\*. Our Web Store provides a new level of efficiency and convenience and features:

- 24/7 access
- fully secure website
- pictorial catalog of parts
- ability to review open or closed parts orders, invoices, and returns
- ability to track your parts shipments
- A discount is given for ALL parts ordered online

If you are not yet registered for the Web Store but would like to do so, please contact Sales Support on 1-301-990-8600 or [salesupport.hna.uvp@heraeus.com](mailto:salesupport.hna.uvp@heraeus.com).

\* Only customers who place orders directly with Heraeus Noblelight may register for the online store. If you currently order parts through a local Heraeus Noblelight distributor, please contact them directly for all parts orders.

## Customer Support

The following groups within Heraeus Noblelight are available to provide customer support.

### Sales Support

The Sales Support group is responsible for the processing of domestic and international quotation requests as well as the purchase orders of spare parts, systems, and online orders.

Contact Sales Support at [salesupport.hna.uvp@heraeus.com](mailto:salesupport.hna.uvp@heraeus.com).

### Technical Service

The Technical Service group is responsible for worldwide after sales support including repair services whether returned to a Heraeus Noblelight Service Center or at the customer site. This group also provides new equipment commissioning, maintenance and operator training, telephone/email/fax support, maintenance programs such as multi-level service contracts, and certified rebuilt equipment. Our service staff averages nearly 16 years of hands-on experience with Fusion UV equipment!

Contact Technical Services at [techservice.hna.uvp@heraeus.com](mailto:techservice.hna.uvp@heraeus.com).

### Applications Engineering

The Applications Engineering group concentrates on the optimization of a customer's UV process or proposed process and in assisting customers with troubleshooting of their UV curing process. Their expertise includes system selection and configuration; determination of system size, lamp type, and optics; machine design concepts, integration; and air handling systems and measurement (radiometry and thermometry).

This group oversees and operates the Applications Lab in which processes can be developed, demonstrated, or refined using any of a wide range of UV exposure equipment available, including all lamp and bulb types.

Contact Applications Engineering at [info.hna.uvp@heraeus.com](mailto:info.hna.uvp@heraeus.com).

## Irradiator Models



**Figure 1: I6, I6B (old and new cover), and I6B Mark II Irradiators**

The various irradiator models manufactured by Heraeus Noblelight are listed below.

**Table 1: Irradiator Models**

Irradiator Model	Connectors	Air Delivery	Pressure Switch
I6P1	Top Connections	Top cooling inlet	2.5" W.C.
I6P3	Side Connections	Side cooling inlet	2.5" W.C.
I6P1LH	Top Connections	Top cooling inlet	0.4-0.6" W.C.
I6P3LH	Side Connections	Side cooling inlet	0.4-0.6" W.C.
I6B	Side Connections	Modular blower, Top cooling inlet with filter	2.5" W.C.
I6B Mark II	Side Connections	Modular blower, Top cooling inlet with filter	2.5" W.C.
I6S	Side Connections	Side cooling inlet	2.0" W.C.
I6SLH	Side Connections	Side cooling inlet	0.4-0.6" W.C.
I6SULC	Side Connections	Side cooling inlet	requires an external pressure switch

## PM Kits

There are two types of Preventive Maintenance kits available: Basic and Deluxe. The Basic PM kit contains a UV bulb, RF screen, and R500 reflector. This kit is for routine maintenance inspections. The Deluxe PM kit contains UV bulb, RF screen, R500 reflector, I6 magnetron, photodetector, and pressure switch. This kit is for a complete irradiator rebuild.

**Table 2: Basic PM Kits**

Description	Heraeus Part Number
I6 PM Basic kit, contains 9 mm UV bulb (BH9H), QCS RF screen kit, and QCS R500 swept reflector kit with elastomer gaskets	80130831
I6 PM Basic kit, contains 11 mm UV bulb (BH11D), QCS RF screen kit, and QCS R500 swept reflector kit with elastomer gaskets	80130832

**Table 3: Deluxe PM Kits**

Description	Heraeus Part Number
I6 Deluxe PM kit, contains 9 mm UV bulb (BH9H), QCS RF screen kit, QCS R500 swept reflector kit with elastomer gaskets, I6 magnetron kit, photodetector, and pressure switch (2.5" W.C.)	80132588
I6 Deluxe PM kit, contains 11 mm UV bulb (BH11D), QCS RF screen kit, QCS R500 swept reflector kit with elastomer gaskets, I6 magnetron kit, photodetector, and pressure switch (2.5" W.C.)	80132589

## Replacement Bulb Part Numbers

Bulb Type	Description	Heraeus Part Number
H bulb	Bulb, UV, BH9H, single bulb (standard)	558412
	Bulb Kit, 6", BH9H, 9 mm, 1 bulb *	558422
	Bulb Kit, 6", BH9H, 9 mm, 2 bulbs *	570302
	Bulb Kit, 6", BH9H, 9 mm, 3 bulbs *	570312
D bulb, 11 mm	Bulb, UV, BT11D, single bulb (optional)	558394
	Bulb Kit, 6", BT11D, 11 mm, 1 bulb *	558404
	Bulb Kit, 6", BT11D, 11 mm, 2 bulbs *	570284
	Bulb Kit, 6", BT11D, 11 mm, 3 bulbs *	570294
V bulb	Bulb, UV, BH9V, single bulb (optional)	558417
	Bulb Kit, 6", BH9V, 9 mm, 1 bulb *	558427
	Bulb Kit, 6", BH9V, 9 mm, 2 bulbs *	570307
	Bulb Kit, 6", BH9V, 9 mm, 3 bulbs *	570317
D bulb, 9 mm FOR I6ULC ONLY	Bulb, UV, BF9D, single bulb (optional)	558434
	Bulb Kit, 6", BF9D, 9mm, 1 bulb *	558444
	Bulb Kit, 6", BF9D, 9 mm, 2 bulbs *	570204
	Bulb Kit, 6", BF9D, 9 mm, 3 bulbs *	570214
H2 bulb FOR I6ULC ONLY	Bulb, UV, BF9H2, single bulb (optional)	558432
	Bulb Kit, 6", BF9H2, 9 mm, 1 bulb *	558442
	Bulb Kit, 6", BF9H2, 9 mm, 2 bulbs *	570202
	Bulb Kit, 6", BF9H2, 9 mm, 3 bulbs *	570212
V bulb FOR I6ULC ONLY	Bulb, UV, BF9V, single bulb (optional)	558437
	Bulb Kit, 6", BF9V, 9 mm, 1 bulb *	558447
	Bulb Kit, 6", BF9V, 9 mm, 2 bulbs *	570207
	Bulb Kit, 6", BF9V, 9 mm, 3 bulbs *	570217
Lab Kit	Bulb Lab kit (contains one each of BH9H, BH11D, and BH9V) *	570354
Lab Kit FOR I6ULC ONLY	Bulb Lab kit (contains one each of BF9H2, BF9D, and BF9V) *	570351

\* Bulb kits contain bulb(s), latex glove, alcohol swab,  
RF screen screws, and instructions.

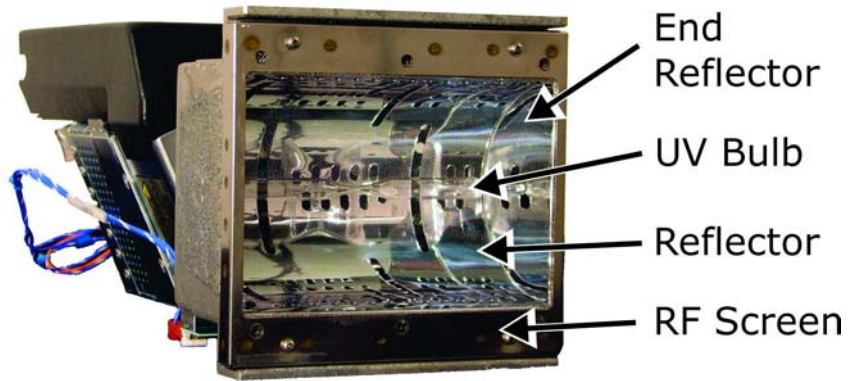


Figure 2: Irradiator Components, Bottom view

### I6 Reflector Replacement Part Numbers

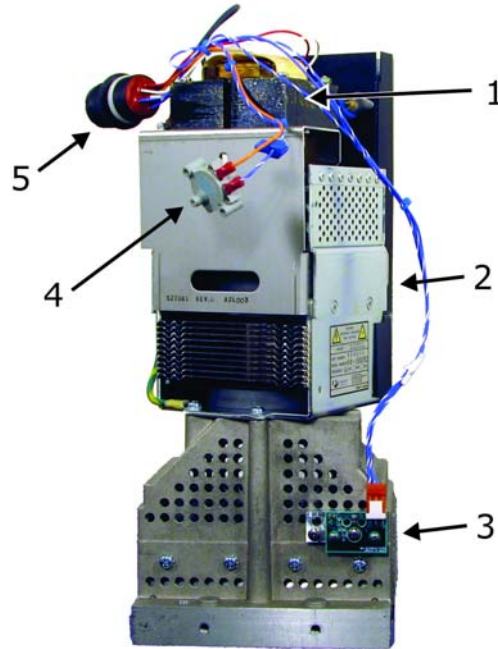
Reflector Type	Description	Heraeus Part Number
End	End Reflector Kit, R500 (1 pair) (standard) (includes elastomer gaskets)	80130626
	End Reflector Kit, R500 (1 pair), "209" hole location (includes elastomer gaskets)	80130627
R500	Reflector assembly kit, R500, swept (includes main QCS reflector, two end reflectors and elastomer gaskets) (standard), I6	80132502
R500/"209"	Reflector assembly kit, R500, swept, "209" (includes main QCS reflector, 2 R500 "209" end reflectors and elastomer gaskets), I6	80132523
Dichroic	Reflector assembly kit, Dichroic (cold/R500) (includes dichroic main QCS reflector, 2 R500 end reflectors and elastomer gaskets), I6	80132524
Dichroic Plus	Reflector assembly kit, Dichroic Plus, swept (cold/R500) (includes dichroic main reflector, 2 R500 end reflectors and elastomer gaskets), I6	80132525
	Reflector assembly kit, Dichroic Plus, swept "209" (cold/R500) (includes dichroic main reflector, 2 R500 "209" end reflectors and elastomer gaskets), I6	80132526
Gaskets	RF gasket kit (contains pairs of reflector end and reflector straight elastomer gaskets)	80128382
	RF gasket kit (contains 2 rails and pairs of reflector end, reflector straight, and extrusion/rail elastomer gaskets)	80128381

### I6 Screen Replacement Part Numbers

Description	Heraeus Part Number
RF Screen assembly replacement kit, Quick Change Screen, 6-inch systems	581732



**NOTE: The Quick Change Screen (QCS) and the associated reflector are factory installed on irradiators manufactured after May 2011. The new QCS screen will fit on existing reflectors; however, the screws will need to be replaced with the non-captive M3 screws provided in the replacement kit. The screen mounting holes on the new Reflectors have changed to allow use of the new QCS and the captive screws.**



**Figure 3: I6 Irradiator Components**

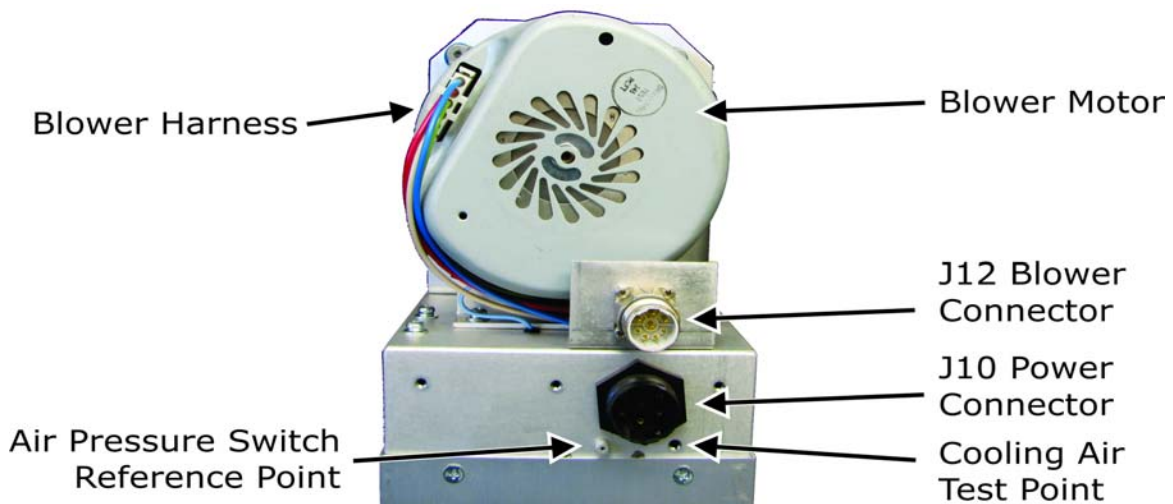
## I6 Irradiator Replacement Part Numbers

**Table 4: I6 Series Irradiator Parts**

Item #	Description	Reference Designator	Heraeus Part Number
1	Transformer Kit, filament, 50/60 Hz (I6P/I6B)	T201	36506
	Transformer Kit, filament, 50/60 Hz (I6S only and includes insulators)	T201	554631
2	Magnetron Kit, I6	Mag A	78613UV
3	Photodetector Assembly kit, direct view	A201	588453
4	Switch, Air Pressure, 2.5" W.C. (I6P1, I6P3, I6B, I6B Mark II)	S201	233982
	Switch, Air Pressure, 2.0" W.C. (I6S only)	S201	233983
	Switch, Air Pressure, 0.4-0.6" W.C. (I6x LH)	S201	233981
5	Harness Assembly, I6, HV	J10	514252

**Table 4: I6 Series Irradiator Parts** *(continued)*

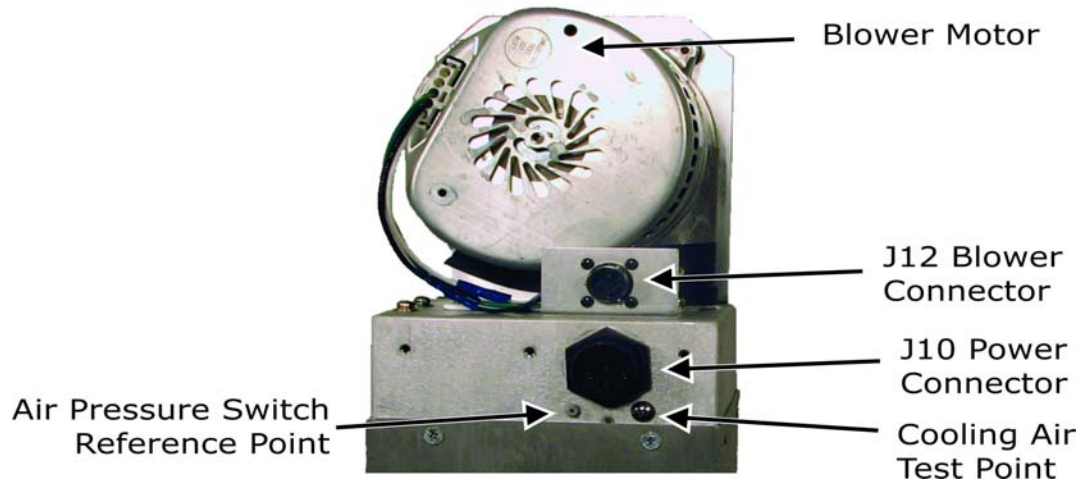
Item #	Description	Reference Designator	Heraeus Part Number
not shown	Hex nut, plastic, HV connector	J10	254101
Air Baffles / Air Flanges (not shown)	1/4 turn studs for I6 housing/collar	--	525474
	Air damper, I6S only	--	551781
	Air handling collar, top air inlet, top connecting, I6P1	--	579401
	Insulator, upper, lexan (I6S only)	--	551831
	Insulator, lower, lexan (I6S only)	--	551841
not shown	Plenum, air intake, I6	--	525201
not shown	Tubing, silicone, 10 inch (I6S only)	--	202324



**Figure 4: K6 Mark II Blower Components**

## K6 Mark II Blower Parts

Description	Heraeus Part Number
Blower/Motor Kit, K6 Mark II, 0-10V control, 345Vdc, 50/60 Hz,	
Filter, polyester, K6 Mark II, set of 5 (for I6B Mark II ONLY	66394



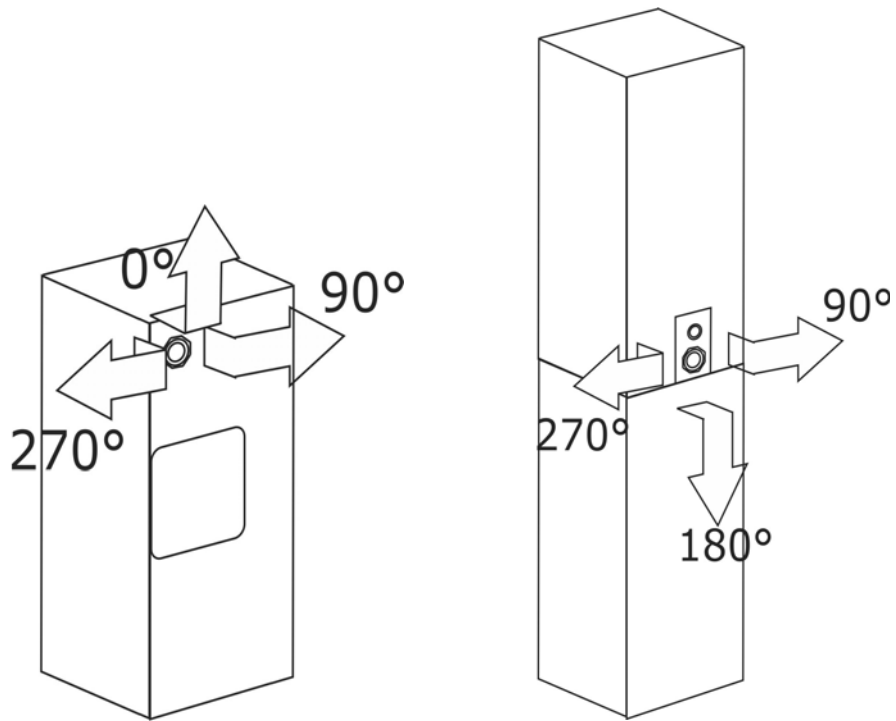
**Figure 5: K6 Blower Components**

## K6 Blower (Legacy) Parts

Description	Heraeus Part Number
Blower/Motor Kit, K6, 240VAC, 50/60 Hz, without mount, modified	591281
Filter, polyester, K6, set of 5 (for I6B ONLY)	66394
Wire assembly, cable interlock	586491

## Optional Irradiator Connectors and Miscellaneous Parts

Reference Designator	Description	Heraeus Part Number
J10/P10 Adapter	Adapter, HV Connector, J10/P10, right angle, 0° (not for use with I6B and I6B Mark II irradiators )	594151
	Adapter, HV Connector, J10/P10, right angle, 90°	594152
	Adapter, HV Connector, J10/P10, right angle, 180° (for use with I6B and I6B Mark II irradiators only)	594153
	Adapter, HV Connector, J10/P10, right angle, 270°	594154



**Right Angle Connectors, I6 and I6B**

## LHP6 Mark II Power Supply Parts



Figure 6: LHP6 Mark II Power Supply, front view



Figure 7: LHP6 Mark II Power Supply Connectors, rear view (with options shown)

## LHP6 Mark II Power Supply Parts

**Table 5: LHP6 Mark II Power Supply Spare Parts**

Reference Designator	Description	Heraeus Part Number
	Bracket for tower mounting of power supply (includes hardware)	80115037
	Fan module assembly	602661
	Fan filter, snap fit	602691

## LHP6 Mark II Input Power Adapter Cable Assemblies

**NOTE: If installing the Light Hammer 6 Mark II UV Lamp System into an existing legacy installation, use the optional pigtail adapter to connect the J101 terminal block to the P101 connector used in the legacy system cabling.**

**There are two types of pigtail adapters: those that connect through the initial larger input power connector cover and those that connect to the raised input power connector cover.**

Reference Designator	Description	Heraeus Part Number
J101 to P101	Cable Assembly, IEC309, 480V,30A, pigtail, 1 meter length (for use with large power input cover)	594071
J101 to P101	Cable Assembly, IEC309, 400V,32A, pigtail, 1 meter length (for use with large power input cover)	594073
J101 to P101	Cable Assembly, IEC309, 250V,30A, pigtail, 1 meter length (for use with large power input cover)	594074
J101 to P101	Cable Assembly, IEC309, 480V,30A, pigtail, 1 meter length (for use with raised power input cover)	80132918
J101 to P101	Cable Assembly, IEC309, 400V,32A, pigtail, 1 meter length (for use with raised power input cover)	80132920
J101 to P101	Cable Assembly, IEC309, 250V,30A, pigtail, 1 meter length (for use with raised power input cover)	80132919
P101	Connector, Inlet, female, IEC-309, 380-415V, 32A, 3 phase, 4-wire (3P+E), International rating (for legacy systems)	241974
P101	Connector, Inlet, female, IEC-309, 480V, 30A, 3 phase, 4-wire (3P+E), North American rating (for legacy systems)	241977
P101	Connector, Inlet, female, IEC-309, 250V, 30A, 3 phase, 4-wire (3P+E), North American rating (for legacy systems)	241979

# Summary of LHP6 Mark II Connectors

**Table 6: Summary of LHP6 Mark II Power Supply Connectors**

Conn	Description	Master/Slave	DeviceNet	Profibus	EtherNet/IP
J101	AC input	Required	Required	Required	Required
J102	Master/Slave	Required	option	option	option
J103	HV/Control	Required	Required	Required	Required
J104	not used	not used	not used	not used	not used
J105	RF Detector	Required connection or plug	Required connection or plug	Required connection or plug	Required connection or plug
J106	Customer I/O	Required connection or plug	Required connection or plug	Required connection or plug	Required connection or plug
J107	E-Stop	jumper or connection	jumper or connection	jumper or connection	jumper or connection
J108	Blower	option	option	option	option
J109	Legacy Master/Slave	Legacy compatible	not applicable	not applicable	not applicable
J110	Legacy Master/Slave	Legacy compatible	not applicable	not applicable	not applicable
J111	Comm Bus	option	Required	Required	Required
AIMS Mark II	J102	Required	Required	Required	Required

## Optional J111 Communication Bus Accessories/Cables

The following optional cables and accessories are used when a communication module (DeviceNet, Profibus, or EhterNet/IP) is installed in the J111 port. Refer to ["Miscellaneous Parts"](#) for the Master/Slave cables.

**Table 7: Optional J111 Communication Bus Cables**

Type	Description	Heraeus Part Number
DeviceNet	DeviceNet Tee connector, 5-position, micro (for thin media)	573381
	DeviceNetTerminator resistor, micro, female (for thin media), 121Ω, 1%	573391
	DeviceNetTerminator resistor, micro, male (for thin media), 121Ω, 1%	573392
	DeviceNet Cable, micro (for thin media), 1 meter length	573351
	DeviceNet Cable, micro (for thin media), 2 meter length	573352
	DeviceNet Cable, micro (for thin media), 5 meter length	573353
	DeviceNet Cable, micro (for thin media), 10 meter length	573354

**Table 7: Optional J111 Communication Bus Cables** *(continued)*

Type	Description	Heraeus Part Number
EtherNet	EtherNet Cable, CAT6, double shielded, 1 meter length	602561
	EtherNet Cable, CAT6, double shielded, 2 meter length	602562
	EtherNet Cable, CAT6, double shielded, 5 meter length	602563
	EtherNet Cable, CAT6, double shielded, 10 meter length	602564
Profibus	Profibus Tee connector, 5-position, M12	603141
	Profibus Terminator resistor, M12, female	602581
	Profibus Terminator resistor, M12, male	602582
	Profibus Cable, M12, shielded, M/F, 1 meter length	602571
	Profibus Cable, M12, shielded, M/F, 2 meter length	602572
	Profibus Cable, M12, shielded, M/F, 5 meter length	602573
	Profibus Cable, M12, shielded, M/F, 10 meter length	602574

## Miscellaneous Parts

Reference Designator	Description	Heraeus Part Number
—	Connector assembly, RF Detector Plug (includes contacts) (for RF Slaves)	573591
P102	Cable Assy, Adapter, Master/Slave, 4-contact female, 1 meter length (for connection to J102 on rear panel of LHP6 Mark II)	598402
	DeviceNet Tee connector, 5-position, micro (for thin media) for use with Master/Slave and AIMS Mark II	573381
	DeviceNetTerminator resistor, micro, female (for thin media), 121 $\Omega$ , 1%, for use with Master/Slave and AIMS Mark II	573391
	DeviceNetTerminator resistor, micro, male (for thin media), 121 $\Omega$ , 1%, for use with Master/Slave and AIMS Mark II	573392
P106	Connector Assy, Customer I/O, LH MKII (includes contacts) (Interlock jumpers installed)	602591
J108 adapter	Cable Assy, Adapter for LH6 Legacy K6 Blower (Mark II power supply connection to Legacy K6 blower (I6B) - 4-pin connector)	602251
J109/J110	Cable Assy, Power Supply Bus, LH MKII, 1 meter (for Legacy Master/Slave connections)	558161
—	Connector Collar repair kit, for HV connector	323841
—	Gauge, magnehelic, 0-5 inches H <sub>2</sub> O	291433
—	Gauge, photohelic kit, 0-125 Pa (contains gauge, tubing, and hose barb) (for Light Hammer 6 Mark II low duty cycle operation)	570091
RF-1	RF Detector Kit, Heraeus Noblelight	79961UV
—	Tool, contact removal	43031



## Optional Accessories

Description	Heraeus Part Number
AIMS for LH Mark II	80115268
External Rail kit (contains 2 rails) for I6P irradiators	525461
External Rail kit (contains 2 rails) (for I6B & I6B Mark II irradiators used with C6 or F6 lightshields or LC6B/E and DRS10/12 conveyors)	525462
Adapter plate, crosswise (for lamps with bulb mounted perpendicular to conveyor belt travel direction)	528101
Reflector, external end, R500, 1 piece	43271
Quartz Plate, high grade, 6 in. x 6 in. x 0.062 in.	300302
Quartz Plate, high grade, 6 in. x 6 in. x 0.090 in.	300291

## Interconnect Cables

**Cable lengths not listed in the table below may be available on a custom basis. Contact Heraeus Noblelight for assistance.**

**Table 8: Interconnect Cables**

FROM	TO	Description	LENGTH		Heraeus Part Number
			(M)	(Ft)	
LHP6 Mark II Power Supply J105	RF-1	RF-1 Cable Assembly	2	6.6	329281
	P20		4	13	329282 (std)
			5	16.5	329293
			6	20	329283
			8	26	329284
			11	36	329285
			14	46	329286
			17	56	329287
			21	69	329288
26	85	329289			
LHP6 Mark II Power Supply J103	I6 series irradiator J10	HV/Control Cable Assembly	2	6.6	514471
			4	13	514472 (std)
			6	20	514473
			8	26	514474
			11	36	514475
			14	46	514476
			17	56	514477
			21	69	514478
26	85	514479			
LHP6 Mark II Power Supply J108	I6B irradiator with Mark II blower J12	K6 Mark II Cable Assembly (8-pin connector)	2	6.6	601511
			4	13	601512 (std)
			6	20	601513
			8	26	601514
			11	36	601515
			14	46	601516
			17	56	601517
			21	69	601518
26	85	601519			

**Table 8: Interconnect Cables** *(continued)*

FROM	TO	Description	LENGTH		Heraeus Part Number
			(M)	(Ft)	
LHP6 Legacy Master Power Supply J109	LHP6 Legacy Slave Power Supply J110	Bus Cable (for Legacy Master/Slave connections)	1	3	558161
			2	6	558162

## Numerical Listing of Replacement Parts

**Table 9: Numerical Listing of Light Hammer 6 Mark II Parts**

Description	Heraeus Part Number
Transformer Kit, filament, 50/60 Hz (for I6P/I6B), T201	36506
Filter set, polyester, K6 and K6 Mark II blowers, set of 5	66394
Magnetron Kit, I6, pair, Mag A	78613UV
Tubing, silicone, 10 inch (I6S only)	202324
Switch, Air Pressure 0.4-0.6" W.C. (I6x LH), S201	233981
Switch, Air Pressure, 2.5" W.C. (I6P1, I6P3, I6B, I6B Mark II), S201	233982
Switch, Air Pressure, 2.0" W.C. (I6S only), S201	233983
Hex nut, plastic, HV connector, J10	254101
Harness Assembly, I6, HV, J10	514252
Plenum, air intake, I6	525201
1/4 turn studs for I6 housing/collar	525474
Air damper, I6S only	551781
Insulator, upper, lexan (I6S only)	551831
Insulator, lower, lexan (I6S only)	551841
Transformer Kit, filament, 50/60 Hz (for I6S only and includes insulators), T201	554631
Cable Assy, Power Supply Bus, LH MKII, 1 meter (for Legacy Maseter/Slave connections), J109/J110	558161
Bulb, UV, BT11D, single bulb (optional)	558394
Bulb Kit, 6", BT11D, 11 mm, 1 bulb	558404
Bulb, UV, BH9H, single bulb (standard)	558412
Bulb, UV, BH9V, single bulb (optional)	558417
Bulb Kit, 6", BH9H, 9 mm, 1 bulb	558422
Bulb Kit, 6", BH9V, 9 mm, 1 bulb	558427
Bulb, UV, BF9H2, single bulb (optional), FOR I6ULC ONLY	558432
Bulb, UV, BF9D, single bulb (optional), FOR I6ULC ONLY	558434
Bulb, UV, BF9V, single bulb (optional), FOR I6ULC ONLY	558437
Bulb Kit, 6", BF9H2, 9 mm, 1 bulb, FOR I6ULC ONLY	558442
Bulb Kit, 6", BF9D, 9mm, 1 bulb, FOR I6ULC ONLY	558444
Bulb Kit, 6", BF9V, 9 mm, 1 bulb, FOR I6ULC ONLY	558447
Bulb Kit, 6", BF9H2, 9 mm, 2 bulbs, FOR I6ULC ONLY	570202
Bulb Kit, 6", BF9D, 9 mm, 2 bulbs, FOR I6ULC ONLY	570204
Bulb Kit, 6", BF9V, 9 mm, 2 bulbs, FOR I6ULC ONLY	570207
Bulb Kit, 6", BF9H2, 9 mm, 3 bulbs, FOR I6ULC ONLY	570212

**Table 9: Numerical Listing of Light Hammer 6 Mark II Parts**

<b>Description</b>	<b>Heraeus Part Number</b>
Bulb Kit, 6", BF9D, 9 mm, 3 bulbs, FOR I6ULC ONLY	570214
Bulb Kit, 6", BF9V, 9 mm, 3 bulbs, FOR I6ULC ONLY	570217
Bulb Kit, 6", BT11D, 11 mm, 2 bulbs	570284
Bulb Kit, 6", BT11D, 11 mm, 3 bulbs	570294
Bulb Kit, 6", BH9H, 9 mm, 2 bulbs	570302
Bulb Kit, 6", BH9V, 9 mm, 2 bulbs	570307
Bulb Kit, 6", BH9H, 9 mm, 3 bulbs	570312
Bulb Kit, 6", BH9V, 9 mm, 3 bulbs	570317
Bulb Lab kit (contains one each of BF9H2, BF9D, and BF9V), FOR I6ULC ONLY	570351
Bulb Lab kit (contains one each of BH9H, BH11D, and BH9V)	570354
Connector assembly, RF Detector Plug (includes contacts) (for RF Slaves), P105	573591
Filter, inlet, VFD blower	576661
Air handling collar, I6, top air inlet, top connecting	579401
RF Screen assembly replacement kit, Quick Change Screen, 6-inch systems	581732
Wire assembly, cable interlock, K6 blower, Legacy systems only	586491
Photodetector Assembly kit, direct view, A201	588453
Blower/Motor Kit, K6, 240VAC, 50/60 Hz, without mount, modified, Legacy systems only	591281
Adapter, HV Connector, J10/P10, right angle, 0° (NOT for use with I6B and I6B Mark II irradiators )	594151
Adapter, HV Connector, J10/P10, right angle, 90°	594152
Adapter, HV Connector, J10/P10, right angle, 180° (for use with I6B and I6B Mark II irradiators ONLY)	594153
Adapter, HV Connector, J10/P10, right angle, 270°	594154
Filter, polyester, K6 blower, set of 5	598181
Cable Assy, Adapter, Master/Slave, 4-contact female, 1 meter length	598402
Harness assembly, K6 Mark II blower	600101
Cable Assy, Adapter for LH6 Legacy K6 Blower (Mark II power supply connection to Legacy K6 blower (I6B) - 4-pin connector), J108 adapter	602251
Connector Assy, Customer I/O, LH MKII (includes contacts) (Interlock jumpers installed), P106	602591
Fan module assembly, LHP6 Mark II	602661
Fan filter, snap fit, LHP6 Mark II	602691
Bracket for tower mounting of LHP6 Mark II power supply (includes hardware)	80115037
RF gasket kit (contains 2 rails and pairs of each of reflector end, reflector straight, and extrusion/rail gaskets)	80128381
RF gasket kit (contains pairs of reflector end and reflector straight elastomer gaskets)	80128382
End Reflector Kit, R500 (1 pair) (standard) (includes elastomer gaskets)	80130626
End Reflector Kit, R500 (1 pair), "209" hole location (includes elastomer gaskets)	80130627

**Table 9: Numerical Listing of Light Hammer 6 Mark II Parts**

Description	Heraeus Part Number
I6 PM Basic kit, contains 9 mm UV bulb (BH9H), QCS RF screen kit, and QCS R500 swept reflector kit with elastomer gaskets	80130831
I6 PM Basic kit, contains 11 mm UV bulb (BH11D), QCS RF screen kit, and QCS R500 swept reflector kit with elastomer gaskets	80130832
Reflector assembly kit, R500, swept (includes main QCS reflector, two end reflectors and elastomer gaskets) (standard), I6	80132502
Reflector assembly kit, R500, swept, "209" (includes main QCS reflector, 2 R500 "209" end reflectors and elastomer gaskets), I6	80132523
Reflector assembly kit, Dichroic (cold/R500) (includes dichroic main QCS reflector, 2 R500 end reflectors and elastomer gaskets), I6	80132524
Reflector assembly kit, Dichroic Plus, swept (cold/R500) (includes dichroic main reflector, 2 R500 end reflectors and elastomer gaskets), I6	80132525
Reflector assembly kit, Dichroic Plus, swept "209" (cold/R500) (includes dichroic main reflector, 2 R500 "209" end reflectors and elastomer gaskets), I6	80132526
I6 Deluxe PM kit, contains 9 mm UV bulb (BH9H), QCS RF screen kit, QCS R500 swept reflector kit with elastomer gaskets, I6 magnetron kit, photodetector, and pressure switch (2.5" W.C.)	80132588
I6 Deluxe PM kit, contains 11 mm UV bulb (BH11D), QCS RF screen kit, QCS R500 swept reflector kit with elastomer gaskets, I6 magnetron kit, photodetector, and pressure switch (2.5" W.C.)	80132589
I6 Deluxe PM kit, contains 11 mm UV bulb (BH11D), QCS RF screen kit, QCS R500 swept reflector kit with elastomer gaskets, I6 magnetron kit, photodetector, and pressure switch (2.5" W.C.)	80132589



---

## Heraeus Noblelight America LLC

910 Clopper Road  
Gaithersburg, MD 20878-1357 USA  
[www.heraeus-noblelight.com/fusionuv](http://www.heraeus-noblelight.com/fusionuv)

Phone: +1 301-527-2660  
Fax: (Technical Service) +1 301-527-2663  
Fax: (Sales) +1 301-527-2661  
email: [info.hna.uvp@heraeus.com](mailto:info.hna.uvp@heraeus.com)

---

## Heraeus Noblelight GmbH

Heraeusstraße 12-14  
63450 Hanau, Germany

Phone: +49 6181 35 4966  
Fax: +49 6181 35 9926  
email: [hng-uv@heraeus.com](mailto:hng-uv@heraeus.com)

---

## Heraeus K.K.

Noblelight Division  
Sumitomo Fudosan Otowa  
Bldg. 1F, 2F, 5F  
2-9-3 Otsuka, Bunkyo-ku,  
112-0012, Tokyo Japan

Phone: +81 3 6902 6602  
Fax: +81 3 6902 6613  
email: [info.hkk@heraeus.com](mailto:info.hkk@heraeus.com)

---

## Heraeus Noblelight (Shenyang) Ltd.

Shanghai Branch  
2F, Building 5, No. 406 Guilin Road  
Xuhui District  
Shanghai 200233, P.R. China

Phone: +86 (21) 3357 5555  
Fax: +86 (21) 3357 5333  
email: [info.hns@heraeus.com](mailto:info.hns@heraeus.com)