



LightHammer 6 UV Lamp System Parts Listing

Document No. 588611 Rev. J, dated May 2016

© Copyright 2011-2016 Heraeus Noblelight America LLC
All Rights Reserved.

Heraeus Noblelight America LLC
910 Clopper Road
Gaithersburg, MD 20878-1357 USA
301-527-2660 • FAX 301-527-2661

Heraeus Noblelight America LLC reserves the right to make changes without prior announcement.

LH6 REPLACEMENT PARTS

This document replaces any parts listings that may be contained within the LH6 Installation, Operation, and Maintenance Manual.

Contained within this document are the part numbers for your genuine Heraeus UV parts. Heraeus Noblelight America LLC (formerly Fusion UV Systems) received full ISO certification in 1993 and we maintain that certification today to the ISO 9001:2008 standard, which underscores our commitment to providing the highest quality components, systems, support, training, process development, and after sales service.

For the most current Replacement Parts Listing for the LH6 system, please visit:

<http://www.heraeus-noblelight.com/spareparts>

On-Line Store

Customers can now place parts orders online*. Our Web Store provides a new level of efficiency and convenience and features:

- 24/7 access
- fully secure website
- pictorial catalog of parts
- ability to review open or closed parts orders, invoices, and returns
- ability to track your parts shipments
- A discount is given for ALL parts ordered online

If you are not yet registered for the Web Store but would like to do so, please contact Sales Support on 1-301-990-8600 or salesupport.hna.uvp@heraeus.com.

* Only customers who place orders directly with Heraeus Noblelight America LLC may register for the online store. If you currently order parts through a local Heraeus Noblelight distributor, please contact them directly for all parts orders.

Customer Support

The following groups within Heraeus Noblelight America LLC are available to provide customer support.

Sales Support

The Sales Support group is responsible for the processing of domestic and international quotation requests as well as the purchase orders of spare parts, systems, and online orders.

Contact Sales Support at salesupport.hna.uvp@heraeus.com.

Technical Service

The Technical Service group is responsible for worldwide after sales support including repair services whether returned to a Heraeus Noblelight Service Center or at the customer site. This group also provides new equipment commissioning, maintenance and operator training, telephone/email/fax support, maintenance programs such as multi-level service contracts, and certified rebuilt equipment. Our service staff averages nearly 16 years of hands-on experience with Fusion UV equipment!

Contact Technical Services at techservice.hna.uvp@heraeus.com.

Applications Engineering

The Applications Engineering group concentrates on the optimization of a customer's UV process or proposed process and in assisting customers with troubleshooting of their UV curing process. Their expertise includes system selection and configuration; determination of system size, lamp type, and optics; machine design concepts, integration; and air handling systems and measurement (radiometry and thermometry).

This group oversees and operates the Applications Lab in which processes can be developed, demonstrated, or refined using any of a wide range of UV exposure equipment available, including all lamp and bulb types.

Contact Applications Engineering at info.hna.uvp@heraeus.com.

Irradiator Models



Figure 1: I6 and I6B (old and new cover) Irradiators

The various irradiator models manufactured by Heraeus Noblelight are listed below.

Irradiator Model	Connectors	Air Delivery	Pressure Switch
I6P1	Top Connections	Top cooling inlet	2.5" W.C.
I6P3	Side Connections	Side cooling inlet	2.5" W.C.
I6P1LH	Top Connections	Top cooling inlet	0.4-0.6" W.C.
I6P3LH	Side Connections	Side cooling inlet	0.4-0.6" W.C.
I6B	Side Connections	Modular blower Top cooling inlet with filter	2.5" W.C.
I6S	Side Connections	Side cooling inlet	2.0" W.C.
I6SLH	Side Connections	Side cooling inlet	0.4-0.6" W.C.
I6SULC	Side Connections	Side cooling inlet	requires an external pressure switch

PM Kits

There are two types of Preventive Maintenance kits available: Basic and Deluxe. The Basic PM kit contains a UV bulb, RF screen, and R500 reflector. This kit is for routine maintenance inspections. The Deluxe PM kit contains UV bulb, RF screen, R500 reflector, I6 magnetron, photodetector, and pressure switch. This kit is for a complete irradiator rebuild.

Basic PM Kits

Description	Heraeus Part Number
I6 PM Basic kit, contains 9 mm UV bulb (BH9H), QCS RF screen kit, and QCS R500 swept reflector kit with elastomer gaskets	80130831
I6 PM Basic kit, contains 11 mm UV bulb (BH11D), QCS RF screen kit, and QCS R500 swept reflector kit with elastomer gaskets	80130832

Deluxe PM Kits

Description	Heraeus Part Number
I6 Deluxe PM kit, contains 9 mm UV bulb (BH9H), QCS RF screen kit, QCS R500 swept reflector kit with elastomer gaskets, I6 magnetron kit, photodetector, and pressure switch (2.5" W.C.).	80132588
I6 Deluxe PM kit, contains 11 mm UV bulb (BH11D), QCS RF screen kit, QCS R500 swept reflector kit with elastomer gaskets, I6 magnetron kit, photodetector, and pressure switch (2.5" W.C.).	80132589

16 Series Irradiator Parts Lists

Replacement Bulb Part Numbers

Bulb Type	Description	Heraeus Part Number
H bulb	Bulb, UV, BH9H, single bulb (standard)	558412
	Bulb Kit, 6", BH9H, 9 mm, 1 bulb *	558422
	Bulb Kit, 6", BH9H, 9 mm, 2 bulbs *	570302
	Bulb Kit, 6", BH9H, 9 mm, 3 bulbs *	570312
D bulb, 11 mm	Bulb, UV, BT11D, single bulb (optional)	558394
	Bulb Kit, 6", BT11D, 11 mm, 1 bulb *	558404
	Bulb Kit, 6", BT11D, 11 mm, 2 bulbs *	570284
	Bulb Kit, 6", BT11D, 11 mm, 3 bulbs *	570294
V bulb	Bulb, UV, BH9V, single bulb (optional)	558417
	Bulb Kit, 6", BH9V, 9 mm, 1 bulb *	558427
	Bulb Kit, 6", BH9V, 9 mm, 2 bulbs *	570307
	Bulb Kit, 6", BH9V, 9 mm, 3 bulbs *	570317
D bulb, 9 mm FOR 16ULC ONLY	Bulb, UV, BF9D, single bulb (optional)	558434
	Bulb Kit, 6", BF9D, 9mm, 1 bulb *	558444
	Bulb Kit, 6", BF9D, 9 mm, 2 bulbs *	570204
	Bulb Kit, 6", BF9D, 9 mm, 3 bulbs *	570214
H2 bulb FOR 16ULC ONLY	Bulb, UV, BF9H2, single bulb (optional)	558432
	Bulb Kit, 6", BF9H2, 9 mm, 1 bulb *	558442
	Bulb Kit, 6", BF9H2, 9 mm, 2 bulbs *	570202
	Bulb Kit, 6", BF9H2, 9 mm, 3 bulbs *	570212
V bulb FOR 16ULC ONLY	Bulb, UV, BF9V, single bulb (optional)	558437
	Bulb Kit, 6", BF9V, 9 mm, 1 bulb *	558447
	Bulb Kit, 6", BF9V, 9 mm, 2 bulbs *	570207
	Bulb Kit, 6", BF9V, 9 mm, 3 bulbs *	570217
Lab Kit	Bulb Lab kit (contains one each of BH9H, BH11D, and BH9V) *	570354
Lab Kit FOR 16ULC ONLY	Bulb Lab kit (contains one each of BF9H2, BF9D, and BF9V) *	570351

* Bulb kits contain bulb(s), latex glove, alcohol swab, RF screen screws, and instructions.

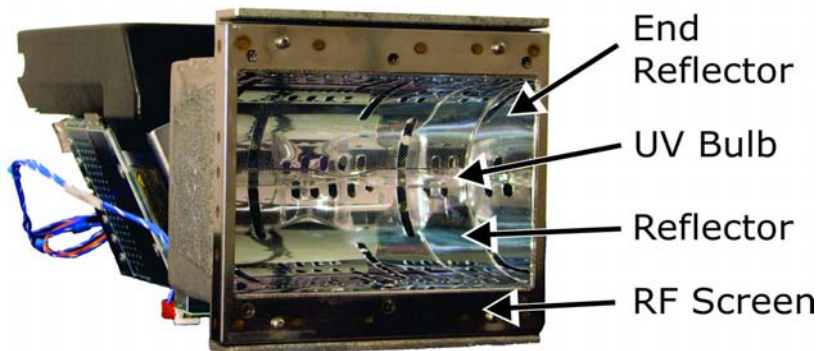


Figure 2: Irradiator Components, Bottom view

I6 Reflector Replacement Part Numbers

Reflector Type	Description	Heraeus Part No.
End	End Reflector Kit, R500 (1 pair) (standard) (includes elastomer gaskets)	80130626
	End Reflector Kit, R500 (1 pair), "209" hole location (includes elastomer gaskets)	80130627
R500	Reflector assembly kit, R500, swept (includes main QCS reflector, two end reflectors, and elastomer gaskets) (standard)	80132502
R500/"209"	Reflector assembly kit, R500, swept, "209" (includes main QCS reflector, 2 R500 "209" end reflectors, and elastomer gaskets)	80132523
Dichroic	Reflector assembly kit, Dichroic (cold/R500) (includes dichroic main QCS reflector, 2 R500 end reflectors, and elastomer gaskets)	80132524
Dichroic Plus	Reflector assembly kit, Dichroic Plus, swept (cold/R500) (includes dichroic main reflector, 2 R500 end reflectors, and elastomer gaskets), I6	80132525
	Reflector assembly kit, Dichroic Plus, swept "209" (cold/R500) (includes dichroic main reflector, 2 R500 "209" end reflectors, and elastomer gaskets), I6	80132526
Gaskets	RF gasket kit (contains pairs of reflector end and reflector straight elastomer gaskets)	80128382
	RF gasket kit (contains 2 rails and pairs of reflector end, reflector straight, and extrusion/rail elastomer gaskets)	80128381
Hardware	Kit, Reflector hardware (contains additional hardware for older-style screens)	80131353

I6 Screen Replacement Part Numbers

Description	Heraeus Part Number
RF Screen assembly replacement kit, Quick Change Screen, 6-inch systems	581732

NOTE: The Quick Change Screen (QCS) and the associated reflector are factory installed on irradiators manufactured after May 2011. The new QCS screen will fit on existing reflectors; however, the screws will need to be replaced with the non-captive M3 screws provided in the replacement kit. The screen mounting holes on the new Reflectors have changed to allow use of the new QCS and the captive screws.

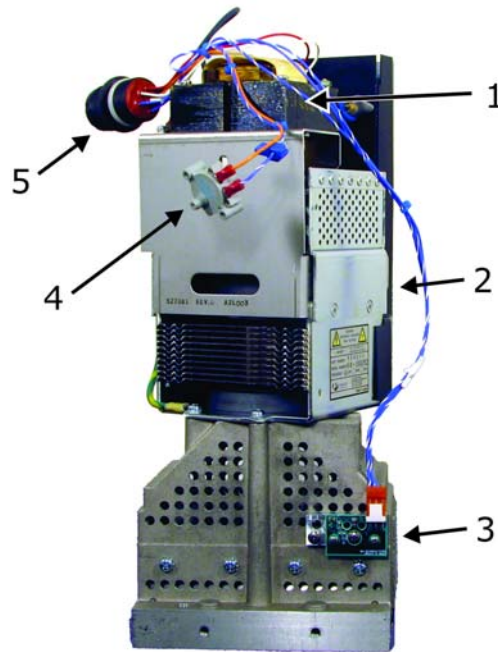


Figure 3: I6 Irradiator Components

I6 Irradiator Replacement Part Numbers

Table 35: I6 Series Irradiator Parts

Item #	Description	Reference Designator	Heraeus Part Number
1	Transformer Kit, filament, 50/60 Hz (I6P/I6B)	T201	36506
	Transformer Kit, filament, 50/60 Hz (I6S only)	T201	554631
2	Magnetron Kit, I6	Mag A	78613UV
3	Photodetector Assembly kit, direct view	A201	588453
4	Switch, Air Pressure, 2.5" W.C. (I6P1, I6P3, I6B)	S201	233982
	Switch, Air Pressure, 2.0" W.C. (I6S only)	S201	233983
	Switch, Air Pressure, 0.4-0.6" W.C. (I6x LH)	S201	233981
5	Harness Assembly, I6, HV	J10	514252
not shown	Hex nut, plastic, HV connector	J10	254101

Table 35: I6 Series Irradiator Parts *(continued)*

Item #	Description	Reference Designator	Heraeus Part Number
Air Baffles / Air Flanges (not shown)	1/4 turn studs for I6 housing/collar	--	525474
	Air damper, I6S only	--	551781
	Air handling collar, I6, top air inlet, top connecting	--	579401
	Insulator, upper, lexan (I6S only)	--	551831
	Insulator, lower, lexan (I6S only)	--	551841
not shown	Plenum, air intake, I6		525201
not shown	Tubing, silicone, 10 inch (I6S only)	--	202322

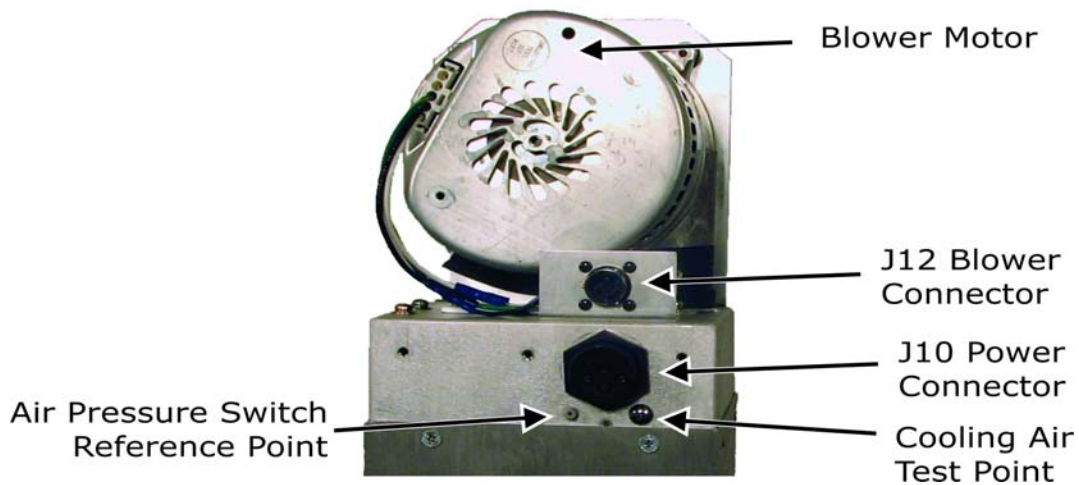


Figure 4: K6 Blower Components

K6 Blower Parts

Description	Heraeus Part Number
Blower/Motor Kit, K6, 240VAC, 50/60 Hz, without mount, modified	591281
Filter, polyester, K6, set of 5	598181
Wire assembly, cable interlock	586491

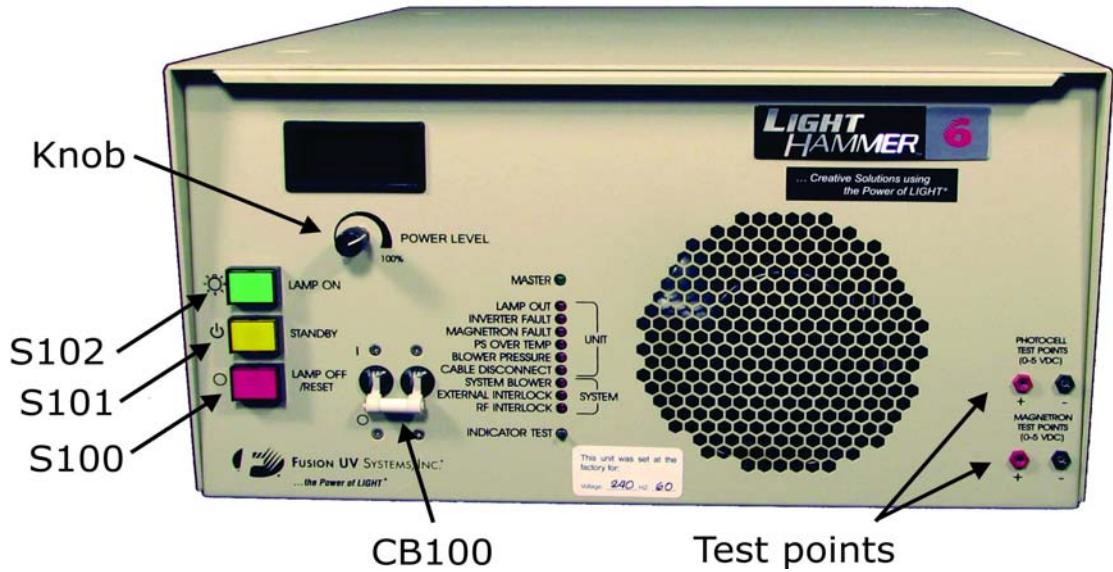


Figure 5: LH6 Power Supply Components (Front)

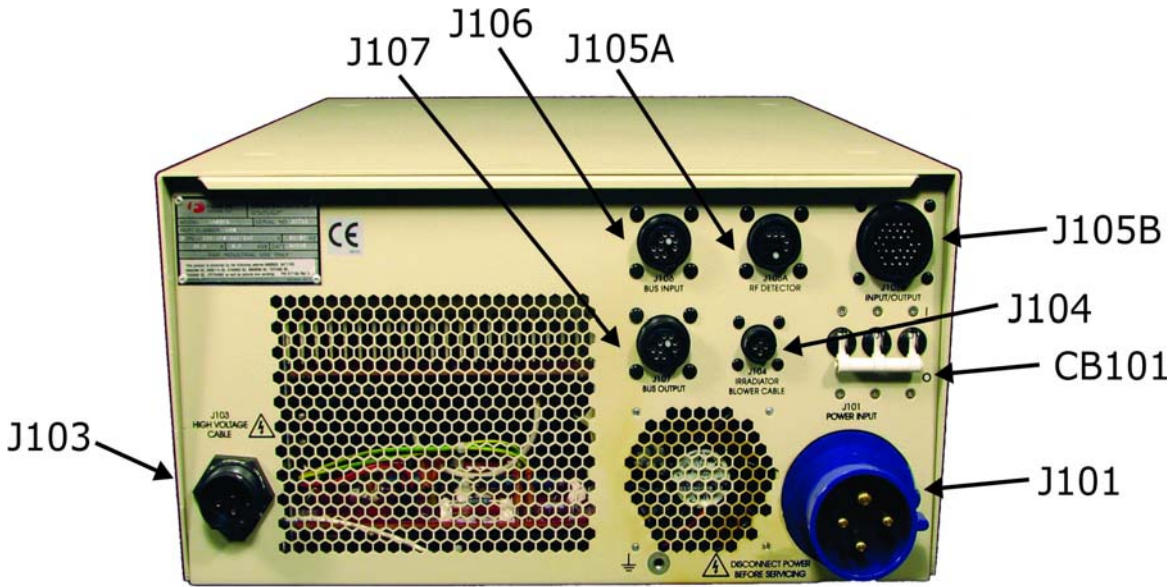


Figure 6: LH6 Power Supply Components (Back)

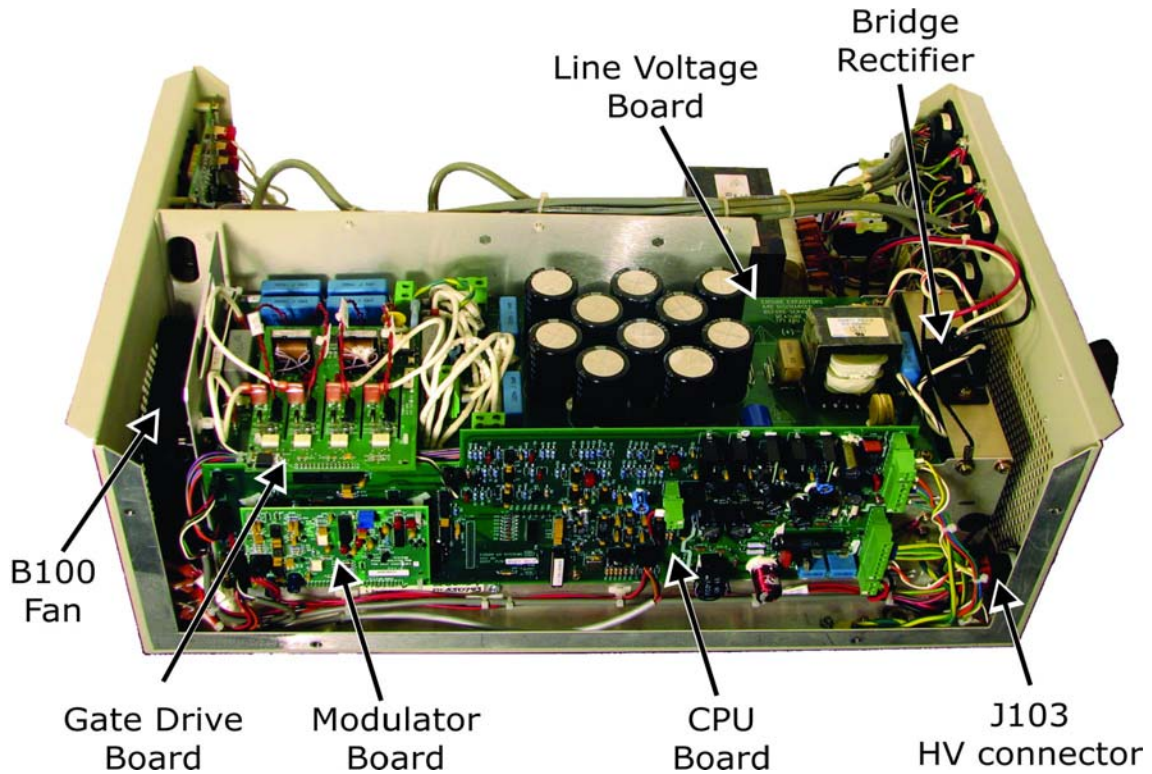


Figure 7: LH6 Power Supply Components (Right side)

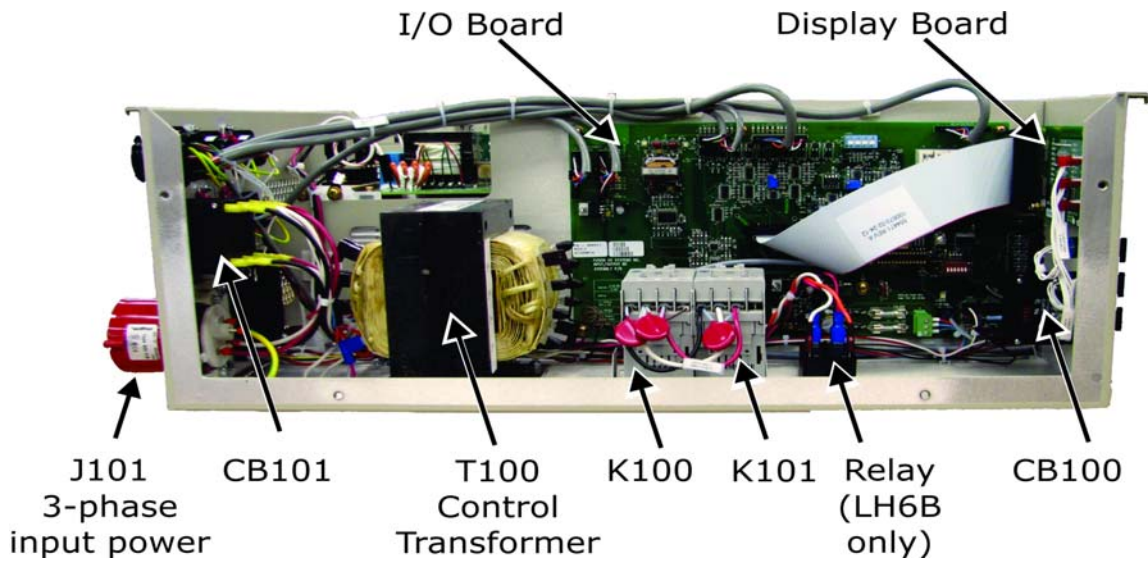


Figure 8: LH6 Power Supply Components (Left side)

LH6 Power Supply Parts

Table 36: LH6 Power Supply Parts

Reference Designator	Description	LH6 Heraeus Part No.	LH6B Heraeus Part No.
CB100	Circuit Breaker, 2-pole 1A, 277/480 V (I6P/I6S HV version 380-480V only)	555285	
CB100	Circuit Breaker, 2-pole 2A, 277/480 V (I6P/I6S LV version 200-240V only)	555284	
CB100	Circuit Breaker, 2-pole 5A, 277/480 V (I6B HV version 380-480V only)		555286
CB100	Circuit Breaker, 2-pole 10A, 277/480 V (I6B LV version 200-240V only)		555282
CB101	Circuit breaker, 3-pole, 20A, 277/480V	555283	555283
K100, K101	Contactor, 4-pole, 16 A, 24 VAC	529962	529962
CR1	Diode module, 50A, 1200V, 3 Phase	550761	550761
T100	Control transformer	550572	
T100	Control transformer kit for (I6B version ONLY)		601911
	CPU PWB assembly kit (I6P/I6S version)	80121729	
	CPU PWB assembly kit (I6B version)		80121729
	Display PWB assembly kit	581911	581911
	Engine assembly kit (200-240V) (I6P/I6S version only)	550741	
	Engine assembly kit (380-480V) (I6P/I6S version only)	550742	
	Engine assembly kit (200-240V) (I6B version only)		550741
	Engine assembly kit (380-480V) (I6B version only)		550742
B100	Fan, muffin, 150 cfm	554971	554971
	Fan Assembly kit (I6B version only) (contains fan and harness)		587191
CPU	Fuse, 2A, 250V, slo-blo	341194	341194
I/O	Fuse, 3A, 250V, fast-acting	554951	554951
I/O	Fuse, 2.5A, 250V, time-delay	554952	554952
	Gate Drive board kit	576906	576906
	HV multiplier assembly kit	589441	589441
TH2	IGBT/heat sink kit, 600 V, 75 A (LV version 200-240V)	588431	588431
TH2	IGBT/heat sink kit, 1200 V, 50 A (HV version 380-480V)	588432	588432
	I/O PWB assembly kit (variable power level)	80121730	80121730
	Knob, power level control	555751	555751
	Line Voltage board kit, LV version 200-240V	600121	600121
	Line Voltage board kit, HV version 380-480V	600122	600122
	Modulator board kit, LV version 200-240V	576842	576842
	Modulator board kit, HV version 380-480V	576843	576843
	Switch assembly, pushbutton, red, LAMP OFF/RESET	587731	587731
	Switch assembly, pushbutton, yellow, STANDBY	587732	587732
	Switch assembly, pushbutton, green, LAMP ON	587733	587733
	Switch, thermal, 185°F	26367	26367

LH6 Cable, Harness, and Wires Assembly Part Numbers

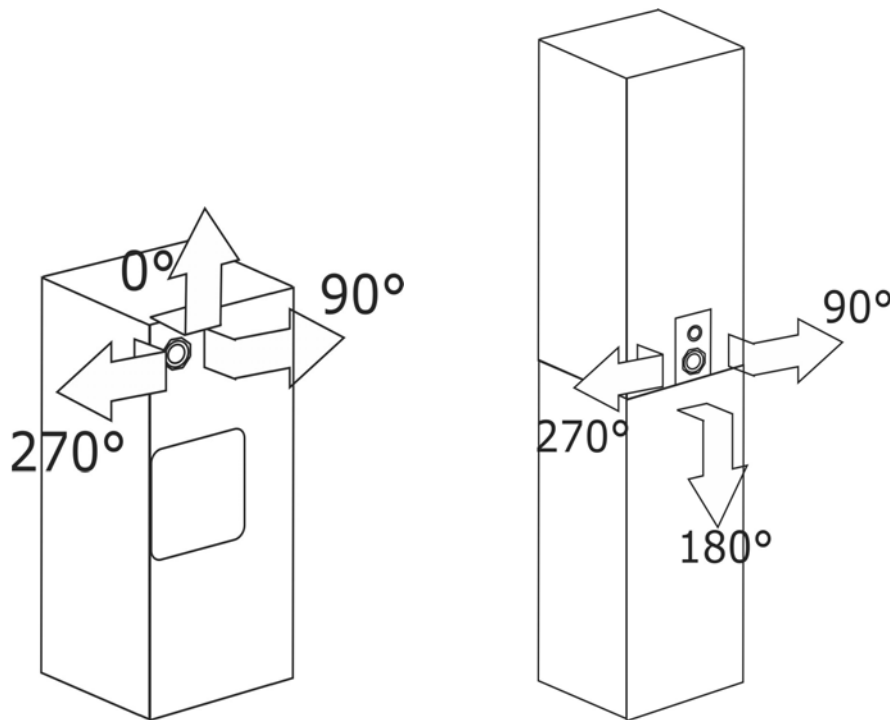
Reference Designator	Description	Heraeus Part Number
J103	Harness assembly, HV/blower	586571
J104	Harness assembly kit, blower, and relay, LH6B	585302
K100-K101	Harness, contactor (with varistor)	555771
	Harness, fan power, I6P/I6S	555811
	Harness, fan power, I6B	586651
J105A, J105B, J106, J107	Harness, user I/O	550721
	Harness, mag/photocell test point	586671
	Harness, Thermal switch	586591
J101	Harness assembly, power distribution, 3-phase (200-240V)	586631
J101	Harness assembly, power distribution, 3-phase (380-415V)	586632
J101	Harness assembly, power distribution, 3-phase (440-480V)	586633

Miscellaneous Parts

Reference Designator	Description	Heraeus Part Number
RF-1	RF Detector Kit	79961UV
	Gauge, magnehelic, 0-5 inches H ₂ O	291433
	Gauge, photohelic kit, 0-125 Pa (for LH6 low duty cycle operation)	570091

Connectors and Miscellaneous Parts

Reference Designator	Description	Heraeus Part Number
P101	Connector, Inlet, female, IEC-309, 250V, 3 phase	241979
	Connector, Inlet, female, IEC-309, 380-415V, 3 phase	241974
	Connector, Inlet, female, IEC-309, 480V, 3 phase	241977
P105B	Connector Assy, Master, LH6 (front panel operation)	558312
	Connector Assy, Slave, LH6 (interlocks) (only provided in multiple lamp systems)	558311
	Connector Assy, customer I/O, LH6 (connector and contacts)	215742
contacts	P105B contact kit, sockets, 24-20 gauge	204041
	P105B contact kit, pins, 24-20 gauge	204042
J10/P10 Adapter	Adapter, HV Connector, J10/P10, right angle, 0° (not for use with I6B irradiators)	594151
	Adapter, HV Connector, J10/P10, right angle, 90°	594152
	Adapter, HV Connector, J10/P10, right angle, 180° (for use with I6B irradiator only)	594153
	Adapter, HV Connector, J10/P10, right angle, 270°	594154
	Tool, contact removal	43031



Right Angle Connectors, I6 and I6B

LH6 Variable Cooling Parts

Description	Heraeus Part Number
Kit, variable cooling, 240V (contains cable, VFD, and blower)	590071
Kit, variable cooling, 480V (contains cable, VFD, and blower)	590072
Kit, variable cooling, 480V, European (contains cable, VFD, blower, and line filter)	590073
Cable assembly I/O for variable cooling (4M length)	570031
Filter, inlet, VFD blower	576661
Filter, line, VFD blower, 480V, 3-phase, 50/60 Hz	590301
VFD, 240V (programmed)	590061
VFD, 480V (programmed)	590062

The Variable Frequency Drive (VFD) option can only be used with the I6P1LH, I6P3LH, and I6SLH irradiators containing the low pressure switch.

Optional Accessories

Description	Heraeus Part Number
External Rail kit for I6 (contains 2 rails) (for lamps used with C6 or F6 lightshields or LC6B/E and DRS10/12 conveyors)	525462
Adapter plate, crosswise (for lamps with bulb mounted perpendicular to conveyor belt travel direction)	528101
Reflector, external end, R500, 1 piece	43271
Quartz Plate, high grade, 6 in. x 6 in. x 0.062 in.	300302
Quartz Plate, high grade, 6 in. x 6 in. x 0.090 in.	300291

Interconnect Cables

NOTE: Cable lengths not listed in the table below may be available on a custom basis. Contact Heraeus Noblelight America LLC for assistance.

Table 37: Interconnect Cables

FROM	TO	Description	LENGTH		Heraeus Part Number
			(M)	(Ft)	
LH6 Power Supply	RF-1	RF-1 Cable Assembly	2	6.6	329281
			4	13	329282 (std)
			6	20	329283
			8	26	329284
			11	36	329285
			14	46	329286
			17	56	329287
			21	69	329288
LH6 Power Supply	I6 series irradiator	HV Cable Assembly	2	6.6	514471
			4	13	514472 (std)
			6	20	514473
			8	26	514474
			11	36	514475
			14	46	514476
			17	56	514477
			21	69	514478
LH6 Power Supply	I6B irradiator	K6 Blower Cable Assembly	2	6.6	590991
			4	13	590992 (std)
			6	20	590993
			8	26	590994
			11	36	590995
			14	46	590996
			17	56	590997
			21	69	590998
			26	85	590999

Table 37: Interconnect Cables *(continued)*

FROM	TO	Description	LENGTH		Heraeus Part Number
			(M)	(Ft)	
3 ϕ Power Source	LH6 Power Supply	IEC309/NEMA L 15 Power Cord	1	3	530341
		IEC309/NEMA L 16 Power Cord (for 380/415 systems)	1	3	327251
		IEC309/NEMA L 16 Power Cord (for 440/480 systems)	1	3	327252
		IEC309/Bare Wire Power Cord	1	3	530355
		IEC309/Bare Wire Power Cord (for 380/415 systems)	2	6	330511
		IEC309/Bare Wire Power Cord (for 440/480 systems)	2	6	527041
LH6 Master Power Supply	LH6 Slave Power Supply	Bus Cable	1	3	558161
			2	6	558162

Numerical Listing of Replacement Parts

Table 38: Numerical Listing of LH6 Parts

Description	Heraeus Part Number
Switch, thermal, 185°F	26367
Transformer Kit, filament, 50/60 Hz (I6P/I6B), T201	36506
Magnetron Kit, I6, pair, Mag A	78613UV
Tubing, silicone, 10 inch (I6S only)	202322
Switch, Air Pressure 0.4-0.6" W.C. (I6x LH), S201	233981
Switch, Air Pressure, 2.5" W.C. (I6P1, I6P3, I6B), S201	233982
Switch, Air Pressure, 2.0" W.C. (I6S only), S201	233983
Hex nut, plastic, HV connector, J10	254101
Fuse, 2A, 250V, slo-blo, CPU board	341194
Harness Assembly, I6, HV, J10	514252
Plenum, air intake, I6	525201
1/4 turn studs for I6 housing/collar	525474
Contactors, 4-pole, 16 A, 24 VAC, K100/K101	529962
Control transformer, T100 (not for use with I6B)	550572
Engine assembly kit (200-240V) (I6P/I6S version only)	550741
Engine assembly kit (200-240V) (I6B version only)	550741
Engine assembly kit (380-480V) (I6P/I6S version only)	550742
Engine assembly kit (380-480V) (I6B version only)	550742
Diode module, 50A, 1200V, 3 Phase, CR1	550761
Air damper, I6S only	551781
Insulator, upper, lexan (I6S only)	551831
Insulator, lower, lexan (I6S only)	551841
Transformer Kit, filament, 50/60 Hz (I6S only), T201	554631
Fuse, 3A, 250V, fast-acting, I/O board	554951
Fuse, 2.5A, 250V, time-delay, I/O board	554952
Fan, muffin, B100	554971
Circuit Breaker, 2-pole 10A, 277/480 V (I6B LV version 200-240V only), CB100	555282
Circuit breaker, 3-pole, 20A, 277/480V, CB101	555283
Circuit Breaker, 2-pole 2A, 277/480 V (I6P/I6S LV version 200-240V only), CB100	555284
Circuit Breaker, 2-pole 1A, 277/480 V (I6P/I6S HV version 380-480V only), CB100	555285
Circuit Breaker, 2-pole 5A, 277/480 V (I6B HV version 380-480V only), CB100	555286
Knob, power level control	555751
Bulb, UV, BT11D, single bulb (optional)	558394

Table 38: Numerical Listing of LH6 Parts (continued)

Description	Heraeus Part Number
Bulb Kit, 6", BT11D, 11 mm, 1 bulb	558404
Bulb, UV, BH9H, single bulb (standard)	558412
Bulb, UV, BH9V, single bulb (optional)	558417
Bulb Kit, 6", BH9H, 9 mm, 1 bulb	558422
Bulb Kit, 6", BH9V, 9 mm, 1 bulb	558427
Bulb, UV, BF9H2, single bulb (optional), FOR I6ULC ONLY	558432
Bulb, UV, BF9D, single bulb (optional), FOR I6ULC ONLY	558434
Bulb, UV, BF9V, single bulb (optional), FOR I6ULC ONLY	558437
Bulb Kit, 6", BF9H2, 9 mm, 1 bulb, FOR I6ULC ONLY	558442
Bulb Kit, 6", BF9D, 9mm, 1 bulb, FOR I6ULC ONLY	558444
Bulb Kit, 6", BF9V, 9 mm, 1 bulb, FOR I6ULC ONLY	558447
Cable assembly I/O for variable cooling (4M length)	570031
Bulb Kit, 6", BF9H2, 9 mm, 2 bulbs, FOR I6ULC ONLY	570202
Bulb Kit, 6", BF9D, 9 mm, 2 bulbs, FOR I6ULC ONLY	570204
Bulb Kit, 6", BF9V, 9 mm, 2 bulbs, FOR I6ULC ONLY	570207
Bulb Kit, 6", BF9H2, 9 mm, 3 bulbs, FOR I6ULC ONLY	570212
Bulb Kit, 6", BF9D, 9 mm, 3 bulbs, FOR I6ULC ONLY	570214
Bulb Kit, 6", BF9V, 9 mm, 3 bulbs, FOR I6ULC ONLY	570217
Bulb Kit, 6", BT11D, 11 mm, 2 bulbs	570284
Bulb Kit, 6", BT11D, 11 mm, 3 bulbs	570294
Bulb Kit, 6", BH9H, 9 mm, 2 bulbs	570302
Bulb Kit, 6", BH9V, 9 mm, 2 bulbs	570307
Bulb Kit, 6", BH9H, 9 mm, 3 bulbs	570312
Bulb Kit, 6", BH9V, 9 mm, 3 bulbs	570317
Bulb Lab kit (contains one each of BF9H2, BF9D, and BF9V), FOR I6ULC ONLY	570351
Bulb Lab kit (contains one each of BH9H, BH11D, and BH9V)	570354
Modulator board kit, LV version 200-240V	576842
Modulator board kit, HV version 380-480V	576843
Gate Drive board kit	576906
Air handling collar, I6, top air inlet, top connecting	579401
RF Screen assembly replacement kit, QCS	581732
Display PWB assembly kit	581911
Wire assembly, cable interlock, K6	586491
Fan Assembly kit (I6B version only) (contains fan and harness)	587191
Switch assembly, pushbutton, red, LAMP OFF/RESET	587731
Switch assembly, pushbutton, yellow, STANDBY	587732
Switch assembly, pushbutton, green, LAMP ON	587733

Table 38: Numerical Listing of LH6 Parts *(continued)*

Description	Heraeus Part Number
IGBT/heat sink kit, 600 V, 75 A (LV version 200-240V)	588431
IGBT/heat sink kit, 1200 V, 50 A (HV version 380-480V)	588432
Photodetector Assembly kit, direct view, A201	588453
HV multiplier assembly kit	589441
Kit, variable cooling, 240V (contains cable, VFD, and blower)	590071
Kit, variable cooling, 480V (contains cable, VFD, and blower)	590072
Kit, variable cooling, 480V, European (contains cable, VFD, blower, and line filter)	590073
VFD, 240V (programmed)	590061
VFD, 480V (programmed)	590062
Filter, line, VFD blower, 480V, 3-phase, 50/60 Hz	590301
Blower/Motor Kit, K6, 240VAC, 50/60 Hz, without mount, modified	591281
Filter, polyester, K6, set of 5	598181
Line Voltage board kit, LV version 200-240V	600121
Line Voltage board kit, HV version 380-480V	600122
Control transformer kit (for I6B version ONLY), T100	601911
CPU PWB assembly kit (I6P/I6S/I6B version)	80121729
I/O PWB assembly kit (variable power level)	80121730
End Reflector Kit, R500 (1 pair) (standard) (includes elastomer gaskets)	80130626
End Reflector Kit, R500 (1 pair), "209" hole location (includes elastomer gaskets)	80130627
RF gasket kit (contains 2 rails and pairs of reflector end, reflector straight, and extrusion/rail elastomer gaskets)	80128381
RF gasket kit (contains pairs of reflector end and reflector straight elastomer gaskets)	80128382
I6 PM Basic kit, contains 9 mm UV bulb (BH9H), QCS RF screen kit, and QCS R500 swept reflector kit with elastomer gaskets	80130831
I6 PM Basic kit, contains 11 mm UV bulb (BH11D), QCS RF screen kit, and QCS R500 swept reflector kit with elastomer gaskets	80130832
Kit, Reflector hardware (contains additional hardware for older-style screens)	80131353
Reflector assembly kit, R500, swept (includes main QCS reflector, two end reflectors, and elastomer gaskets) (standard)	80132502
Reflector assembly kit, R500, swept, "209" (includes main QCS reflector, 2 R500 "209" end reflectors, and elastomer gaskets)	80132523
Reflector assembly kit, Dichroic (cold/R500) (includes dichroic main QCS reflector, 2 R500 end reflectors, and elastomer gaskets)	80132524
Reflector assembly kit, Dichroic Plus, swept (cold/R500) (includes dichroic main reflector, 2 R500 end reflectors, and elastomer gaskets), I6	80132525
Reflector assembly kit, Dichroic Plus, swept "209" (cold/R500) (includes dichroic main reflector, 2 R500 "209" end reflectors, and elastomer gaskets), I6	80132526

Table 38: Numerical Listing of LH6 Parts *(continued)*

Description	Heraeus Part Number
I6 Deluxe PM kit, contains 9 mm UV bulb (BH9H), QCS RF screen kit, QCS R500 swept reflector kit with elastomer gaskets, I6 magnetron kit, photodetector, and pressure switch (2.5" W.C.).	80132588
I6 Deluxe PM kit, contains 11 mm UV bulb (BH11D), QCS RF screen kit, QCS R500 swept reflector kit with elastomer gaskets, I6 magnetron kit, photodetector, and pressure switch (2.5" W.C.).	80132589

Heraeus Noblelight America LLC

910 Clopper Road
Gaithersburg, MD 20878-1357 USA
www.heraeus-noblelight.com/fusionuv

Phone: +1 301-527-2660
Fax: (Technical Service) +1 301-527-2663
Fax: (Sales) +1 301-527-2661
email: info.hna.uvp@heraeus.com

Heraeus Noblelight GmbH

Heraeusstraße 12-14
63450 Hanau, Germany

Phone: +49 6181 35 4966
Fax: +49 6181 35 9926
email: hng-uv@heraeus.com

Heraeus K.K.

Noblelight Division
Sumitomo Fudosan Otowa
Bldg. 1F, 2F, 5F
2-9-3 Otsuka, Bunkyo-ku,
112-0012, Tokyo Japan

Phone: +81 3 6902 6602
Fax: +81 3 6902 6613
email: info.hkk@heraeus.com

Heraeus Noblelight (Shenyang) Ltd.

Shanghai Branch
2F, Building 5, No. 406 Guilin Road
Xuhui District
Shanghai 200233, P.R. China

Phone: +86 (21) 3357 5555
Fax: +86 (21) 3357 5333
email: info.hns@heraeus.com