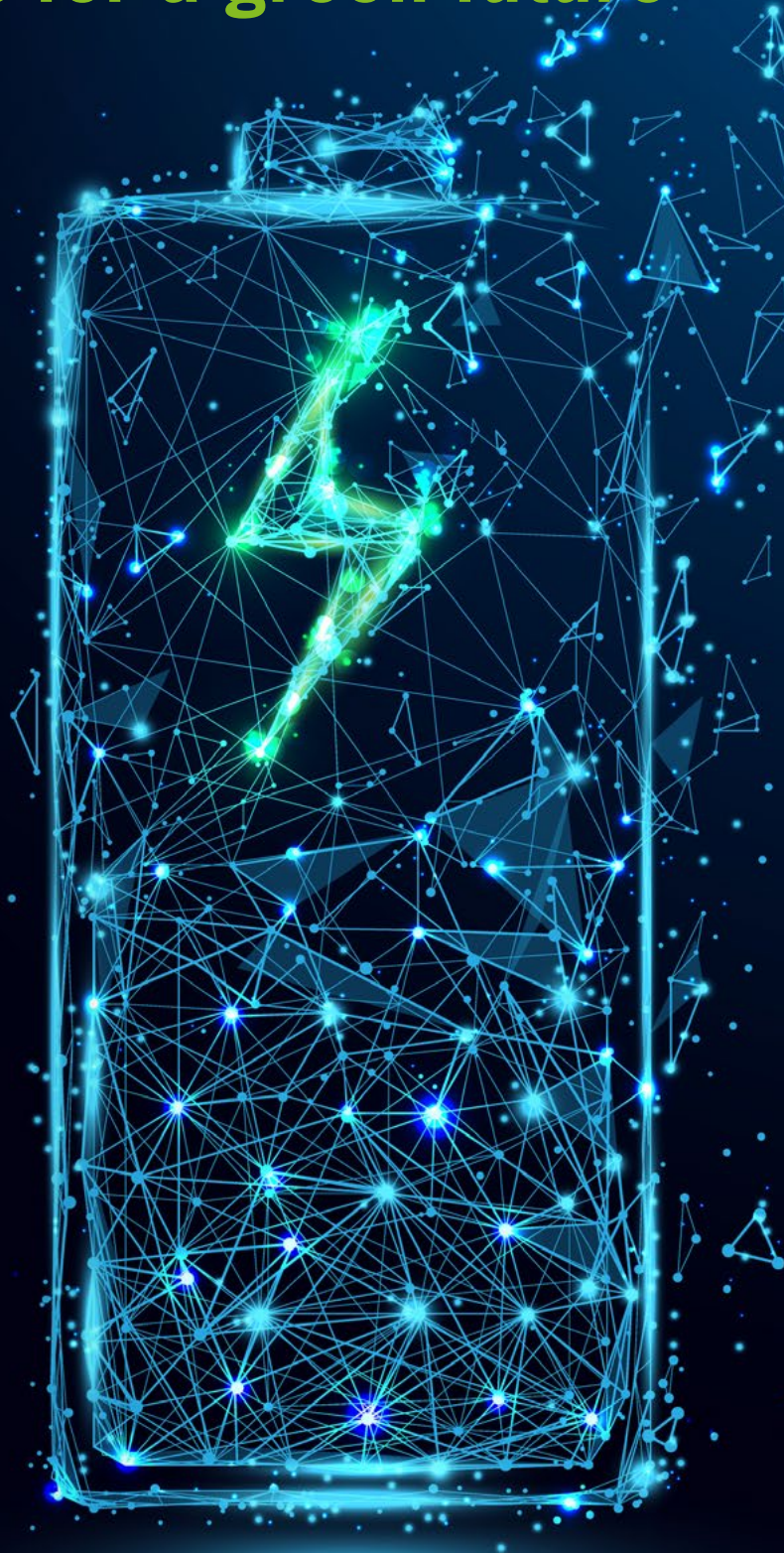


Creating possibilities with advanced materials for a green future



Functional material solutions for electrical connections of Li-ion batteries

Heraeus Precious Metals roll cladding technology offers flexible solutions for compound strips. These are applied as electrical connections in Li-ion batteries and e-mobility applications (e.g., electrical connections, battery tabs, housings).

Technology

- Special metal combining process
- Cold rolling metal processing
- Special heat treatment for adjusting mechanical properties and strong compound binding
- Capacity for high volumes
- Broad portfolio of materials
- Refractory metals, precious metals, ferrous and non-ferrous metals

Service

- Co-development with customers
- Strips, cuttings, stamped parts
- Superior materials
- Tight manufacturing tolerances with high degree of design flexibility

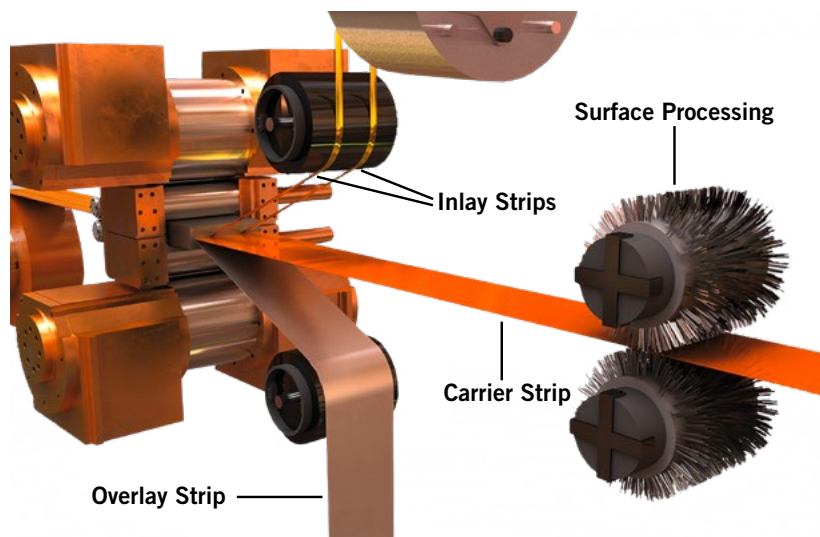
Result

- Material combinations with special functional characteristics through multi-metal combinations that cannot be created by alloying or welding

Benefits

- Design freedom through broad material combination possibilities for changing requirements and production technologies
- Simple mono-material joining
- Lighter materials for weight reduction in batteries and vehicles (e.g., Aluminum solutions)
- Economical solutions (e.g., Aluminum replacing Copper)
- Overcome limitations of corrosive battery environment
- High mechanical durability and cycle stability

Roll Cladding



Selection of Cladding Layouts

